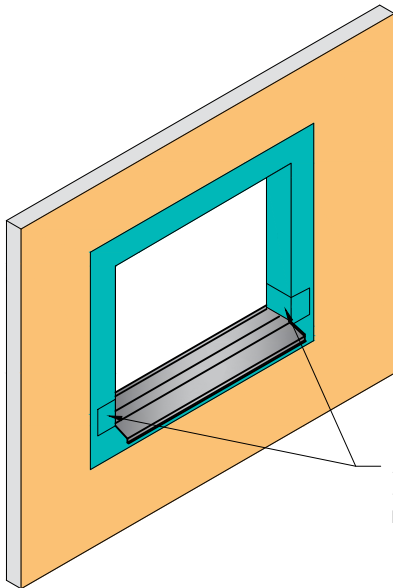


REFER TO ROUGH OPENING
PREPARATION DETAIL FOR PREPARATION
OF OPENING PRIOR TO FLASHING
INSTALLATION

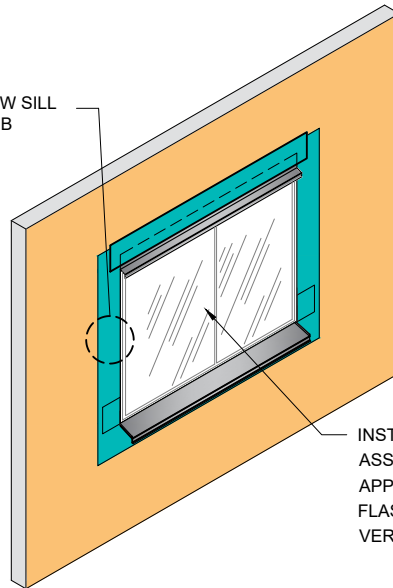
STEP #1



APPLY TREMCO DYMONIC® 100 AT
40 MILS LAPPING OVER LIP OF SILL
PAN FLASHING.

STEP #2

REFER TO WINDOW SILL
DETAILS FOR JAMB
DETAIL



INSTALL WINDOW UNIT AND
ASSOCIATED FLASHINGS AND
APPLY TREMCO DYMONIC® 100
FLASHING SYSTEM OVER
VERTICAL LEG OF FLASHING

STEP #3

The architecture, engineering, and design of the project using the Dryvit, Tremco and USG products are the responsibility of the project's design professional. All products and systems must comply with local building codes and standards. This detail is for general information and guidance only and Dryvit, Tremco and USG specifically disclaims any liability for the use of this detail. The project design professional determines, in its sole discretion, whether this detail or a functionally equivalent detail is best suited for the project. This detail is subject to change without notice. Contact Dryvit, Tremco and USG to ensure you have the most recent version.



Dryvit Technical Support: 800-556-7752

StucCoat One Coat® Securock® ExoAir 430 System



SECUROCK® EXOAIR® 430

Technical Support: 866-209-2404

Detail: Opening Flashing Integration - Tremco Dymonic 100 Option

Drawn by: KAB

Checked by: BD/CB

Scale: NTS

Date: 4/2023

File Name:

SCOC SE430 4



Construction Products Group

www.tremcocpg.com