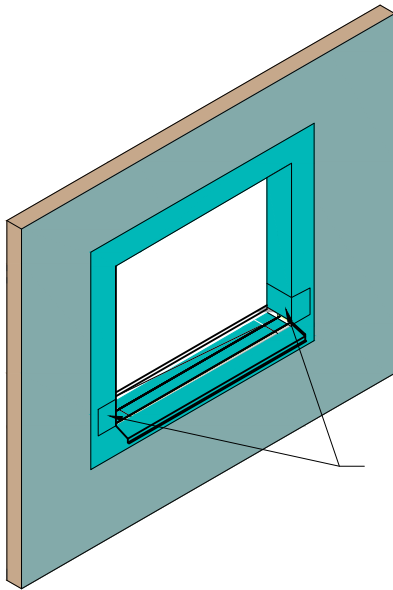
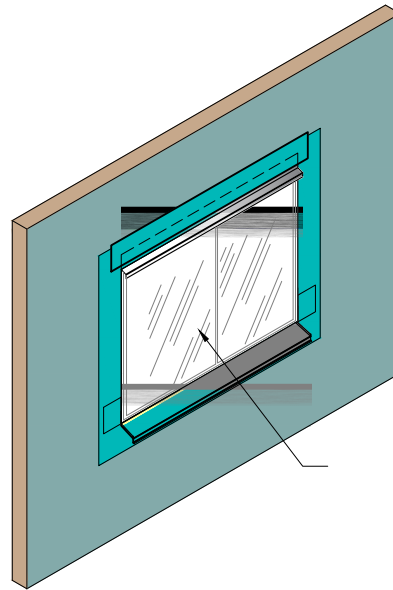


**STEP #1**



**STEP #2**

TREMCO DYMONIC 100 OR



**STEP #3**

TREMCO DYMONIC 100

*The architecture, engineering, and design of the project using the Dryvit and Tremco products are the responsibility of the project's design professional. All products and systems must comply with local building codes and standards. This detail is for general information and guidance only and Dryvit and Tremco specifically disclaims any liability for the use of this detail. The project design professional determines, in its sole discretion, whether this detail or a functionally equivalent detail is best suited for the project. This detail is subject to change without notice. Contact Dryvit and Tremco to ensure you have the most recent version.*

**StucCoat One Coat® System**



Dryvit Technical Support: 800-556-7752

Detail: Opening Flashing Integration - Tremco Dymonic® 100 or Backstop® Flash and Fill Option

Drawn by: KAB

Checked by: BD/CB

Scale: NTS

Date: 4/2023

File Name:

SCOC CI 8



Construction Products Group

www.tremcocpg.com