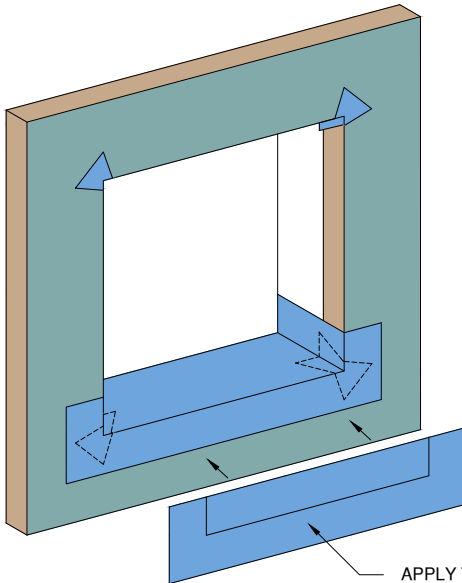


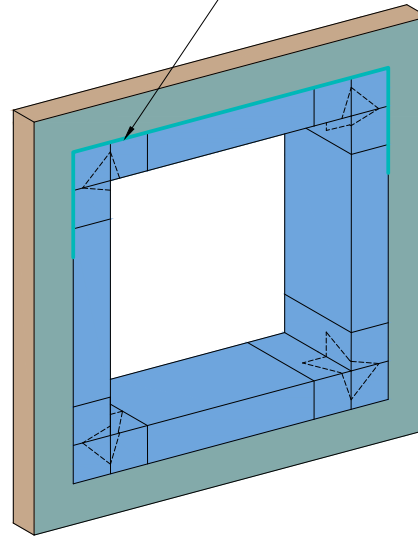
TREMCO EXOAIR® 110AT BOW TIES
INSTALLED AT ROUGH OPENING CORNERS

STEP #1



APPLY TREMCO EXOAIR® 110AT 3" MIN INTO
ROUGH OPENING AND EXTERIOR FACE OF
WALL AT SILLS, JAMBS AND HEADS

STEP #2



APPLY TREMCO DYMONIC® 100 ACROSS
EDGE OF TREMCO® EXOAIR 110AT AT
WINDOW HEAD AND DOWN JAMBS 6"

STEP #3

NOTE:
2. REFER TO HEAD, SILL AND JAMB DETAILS FOR
FLASHING INTEGRATION.

The architecture, engineering, and design of the project using the Dryvit and Tremco products are the responsibility of the project's design professional. All products and systems must comply with local building codes and standards. This detail is for general information and guidance only and Dryvit and Tremco specifically disclaims any liability for the use of this detail. The project design professional determines, in its sole discretion, whether this detail or a functionally equivalent detail is best suited for the project. This detail is subject to change without notice. Contact Dryvit and Tremco to ensure you have the most recent version.

StucCoat One Coat® System



Detail: Opening Preparation - Tremco ExoAir® 110AT Option

File Name:

Drawn by: KAB

Checked by: BD/CB

Scale: NTS

Date: 4/2023

SCOC CI 6



www.tremcocpg.com