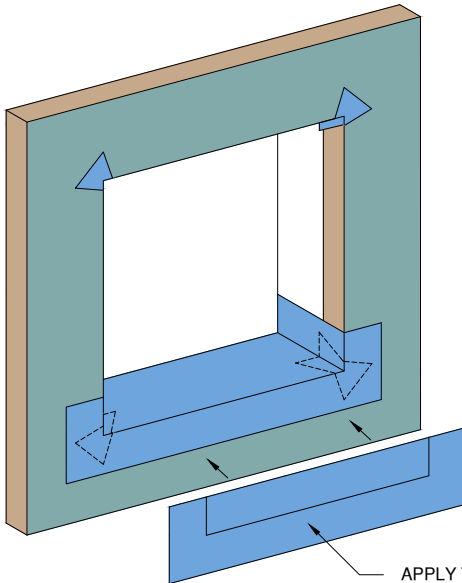


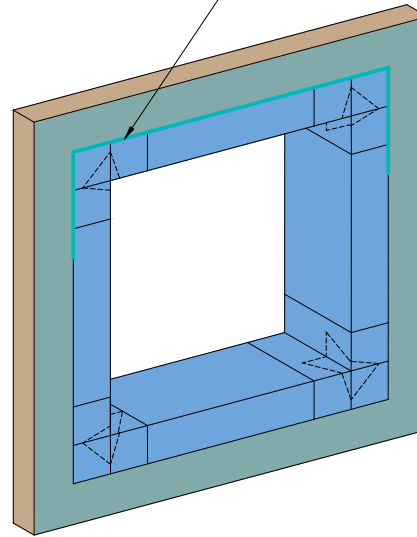
TREMCO EXOAIR® 110AT BOW TIES  
INSTALLED AT ROUGH OPENING CORNERS

**STEP #1**



APPLY TREMCO EXOAIR® 110AT 3" MIN INTO  
ROUGH OPENING AND EXTERIOR FACE OF  
WALL AT SILLS, JAMBS AND HEADS

**STEP #2**



APPLY TREMCO DYMONIC® 100 ACROSS  
EDGE OF TREMCO® EXOAIR 110AT AT  
WINDOW HEAD AND DOWN JAMBS 6"

**STEP #3**

NOTE:  
2. REFER TO HEAD, SILL AND JAMB DETAILS FOR  
FLASHING INTEGRATION.

*The architecture, engineering, and design of the project using the Dryvit and Tremco products are the responsibility of the project's design professional. All products and systems must comply with local building codes and standards. This detail is for general information and guidance only and Dryvit and Tremco specifically disclaims any liability for the use of this detail. The project design professional determines, in its sole discretion, whether this detail or a functionally equivalent detail is best suited for the project. This detail is subject to change without notice. Contact Dryvit and Tremco to ensure you have the most recent version.*

**StucCoat One Coat® System**



Detail: Opening Preparation - Tremco ExoAir® 110AT Option

File Name:

Drawn by: KAB

Checked by: BD/CB

Scale: NTS

Date: 4/2023

SCOC 6



www.tremcocpg.com