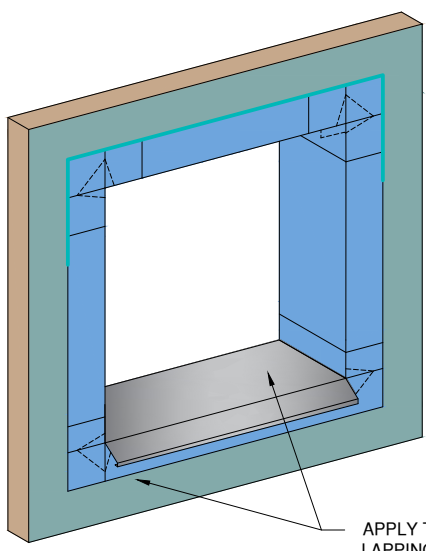


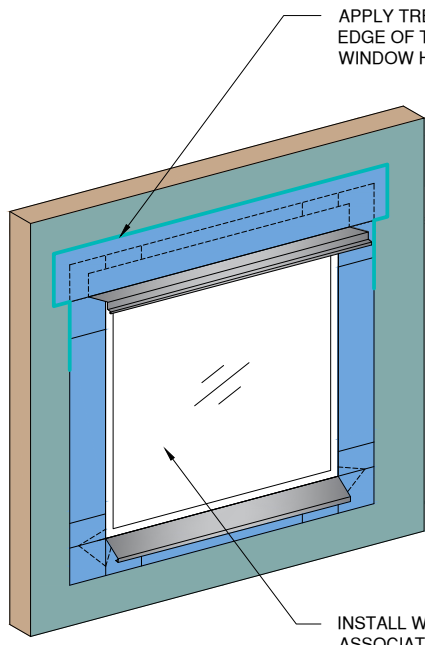
REFER TO OPENING PREPARATION
DETAILS FOR DETAILING OF OPENING
PRIOR TO FLASHING INSTALLATION

STEP #1



APPLY TREMCO EXOAIR® 110AT
LAPPING OVER LIP OF SILL PAN FLASHING
(SEE NOTE 1)

STEP #2



APPLY TREMCO DYMONIC® 100 ACROSS
EDGE OF TREMCO® EXOAIR 110AT AT
WINDOW HEAD AND DOWN JAMBS 6"

INSTALL WINDOW UNIT AND
ASSOCIATED FLASHINGS AND
APPLY TREMCO EXOAIR® 110AT
OVER VERTICAL LEG OF
FLASHING (SEE NOTE 1)

STEP #3

NOTE:
1. INSTALL WINDOW UNIT AND ASSOCIATED FLASHINGS
PER MANUFACTURER'S RECOMMENDATIONS, CODE
REQUIREMENTS AND PROJECT DOCUMENTS.

The architecture, engineering, and design of the project using the Dryvit and Tremco products are the responsibility of the project's design professional. All products and systems must comply with local building codes and standards. This detail is for general information and guidance only and Dryvit and Tremco specifically disclaims any liability for the use of this detail. The project design professional determines, in its sole discretion, whether this detail or a functionally equivalent detail is best suited for the project. This detail is subject to change without notice. Contact Dryvit and Tremco to ensure you have the most recent version.

StucCoat One Coat® System



Detail: Opening Flashing Integration - Tremco ExoAir® 110AT Option				File Name:	
Drawn by: KAB	Checked by: BD/CB	Scale: NTS	Date: 4/2023	SCOC 9	

