



# APPLICATION INSTRUCTIONS

## OUTSULATION® PE SYSTEM®

A Pressure-Equalized Rainscreen Exterior Insulation and  
Finish System With Moisture Drainage That Incorporates  
Continuous Insulation and An Air/Water-Resistive Barrier

DS845

---

## TABLE OF CONTENTS

Section I	General Installation Requirements
Section II	Materials Required for Completing Installation of the Outsulation PE System
Section III	Mixing Instructions
Section VI	Substrate Expansion Joint Bridging Options
Section V	Air/Water-Resistive Barrier Application
Section VI	Accessories
Section VII	Installation of Closure Blocks
Section VIII	Installation of Insulation Board
Section IX	Installation of Dryvit Reinforcing Mesh and Dryvit Base Coat
Section X	Sealant Joint Preparation
Section XI	Dryvit Primers
Section XII	Dryvit Finish
Section XIII	Coatings and Sealers
Section XVI	Maintenance and Repair

---

---

## 1. GENERAL INSTALLATION REQUIREMENTS

### A. Project Conditions

#### 1. Storage

- a. Materials shall be stored at the job site, and at all times, in a cool, dry location, out of direct sunlight, protected from weather and other sources of damage. Minimum storage temperature shall be as follows:
  - 1) DPR, PMR™, HDP™, Weatherlastic®, and E Finishes™, Color Prime™, Primus®, Genesis® and NCB™: 40 °F (4 °C).
  - 2) For all other products, refer to specific product data sheets.
- b. Maximum storage temperature shall not exceed 100 °F (38° C).

NOTE: Minimize exposure of materials to temperatures over 90 °F (32 °C). Finishes exposed to temperatures over 110 °F (43 °C) for even short periods may exhibit skinning, increased viscosity and should be inspected prior to use.
- c. Protect all products from inclement weather and direct sunlight.

#### 2. Application

- a. Application of wet materials shall not take place during inclement weather unless appropriate protection is provided. Protect materials from inclement weather until they are completely dry.
  - 1) At the time of Dryvit product application, the air and wall surface temperatures shall be from 40 °F (4 °C) minimum to 100 °F (38° C) maximum for the following products:
    - a) DPR, PMR, HDP, Weatherlastic and E Finishes, Color Prime, Primus, Genesis and NCB: 40 °F (4 °C).
    - b) For all other products, refer to specific product data sheets.
  - 2) These temperatures shall be maintained with adequate air ventilation and circulation for a minimum of 24 hours (48 hours for Weatherlastic Finishes, Ameristone™, TerraNeo® and Limestone™) thereafter, or until the products are completely dry. Refer to published product data sheets for more specific information

### B. Inspection of Substrate

1. Acceptable substrates for application of the Dryvit Outsulation PE System are listed in the Dryvit Outsulation PE System Specification, [DS844](#).
2. Wall sheathing must be securely fastened per contract documents.
3. The substrate attachment method must comply with all contract documents.
4. The substrate must be clean, dry, structurally sound, free of loose material, voids, projections, hot spots, release agents, coatings, or other materials that may affect adhesion.
5. There shall be no planar irregularities greater than 1/4 in (6.4 mm) within any 4 ft (1.2 m) radius.

### C. Flashing at System Terminations

#### 1. General

- a. Ensure that flashing is installed in accordance with applicable code requirements and the contract documents. As a minimum, opening preparation is required as shown in the Outsulation PE System Installation Details, [DS846](#).

#### 2. Transition at Roof Lines

- a. Ensure the roof has positive drainage, i.e. all runoff shall be directed to the exterior and away from the structure.
- b. Roof flashing (by others) shall be installed in accordance with industry guidelines, manufacturer's instructions and contract documents.

- c. Runoff diverters (i.e., kickouts, crickets and saddles) (by others) shall be installed in accordance with industry guidelines, manufacturer's instructions and contract documents. Particular attention must be paid to the eaves/chimney intersections and sloped roof/wall intersections. Refer to the Dryvit Outsulation PE System Installation Details, [DS846](#).
  - d. Hold system a minimum of 8 in (203 mm) above flat roofs; 2 in (51 mm) above sloped roofs.
3. Openings
- a. Heads, jambs and sills of all openings shall be prepared with Dryvit
  - b. ® NT™, AquaFlash or other approved flashing material selected by the design professional prior to window/door, mechanical equipment, or other component installation. For proper application, refer to the Dryvit Outsulation PE System Installation Details, DS846. NOTE: Sill piece shall extend to the inside face of wall and continue a minimum of 4 in (102 mm) up at the jambs.
  - c. Continuous flashing at heads of openings as indicated in contract documents. NOTE: For windows or doors that do not have integral flashing, a field-applied flashing shall be installed (by others) in accordance with industry guidelines, manufacturer's instructions and contract documents. Refer to the Dryvit Outsulation PE System Installation Details, [DS846](#).
  - d. Individual windows that are ganged to make multiple units require that the heads be continuously flashed and the joints between the units must be fully sealed.
4. Decks and Patios
- a. Wood decks shall be properly flashed prior to system application. See the Dryvit Outsulation PE System Installation Details, [DS846](#).
  - b. Verify that the system terminates above poured decks, patios, landings, etc. and that they are properly sloped and waterproofed to direct water away from the walls.
5. Utilities
- a. Provisions must be made to ensure that the system terminates properly at lighting fixtures, electrical outlets, hose bibs, dryer vents, etc. Refer to the Dryvit Outsulation PE System Installation Details, [DS846](#).
6. Grade Level Terminations
- a. Hold system a minimum of 8 in (203 mm) above finished grade.

D. Sealants

- 1. Dryvit materials shall be completely dry prior to installation of sealant materials (typically 48 - 72 hours). Humid or cool conditions may require longer drying times.

Notify the general contractor and/or architect and/or owner of all discrepancies. Do not proceed until all unsatisfactory conditions have been corrected.

## 2. MATERIALS REQUIRED FOR COMPLETING INSTALLATION OF THE OUTSULATION X SYSTEM

A. Materials Supplied by Dryvit

- 1. AquaFlash® and AquaFlash Mesh
- 2. Backstop® NTX™ – Texture, Smooth or Backstop® DMS
- 3. Grid Tape™
- 4. TREMGrip™
- 5. Drainage Vent Assembly™
- 6. Dryvit Track™
- 7. Dryvit Vent Track™
- 8. Genesis®, Genesis® DM, Genesis® DMS
- 9. Primus®, Primus® DM
- 10. Dryflex®
- 11. NCB™
- 12. Rapidry™ DM 35-50, Rapidry™ DM 50-75, RapidPatch™
- 13. Standard Mesh, Standard Plus Mesh, Intermediate Mesh, Panzer® 15, Panzer 20, Corner™, and Detail Mesh®

14. Dryvit Finishes
15. Dryvit Coatings and Primers
16. Dryvit Starter Strip™.

NOTE: Materials listed above are those contained or referenced in the Outsulation PE Specification, [DS844](#). Typically the project specification will identify the specific materials necessary to complete application.

- B. Materials Supplied by Others
  1. Portland Cement: Type I, II or 1L
  2. Clean Potable Water
  3. Expanded Polystyrene Insulation Board with channels (grooves) and bevels.
  4. Expanded Polystyrene Insulation Board Closure Blocks

---

### 3. MIXING INSTRUCTIONS

- A. General
  1. No additives such as sand, aggregates, rapid binders, anti-freeze, accelerators, etc. shall be added to any Dryvit materials under any circumstances. Such additives will adversely affect the performance of the material and void all warranties.
- B. Air/Water-Resistive Barrier Materials
  1. AquaFlash
    - a. Open the bucket with a utility knife or lid-off.
    - b. AquaFlash is ready to use after an initial spin-up using a "Twister" paddle or equivalent mixing blade, powered by a 1/2 in (12.7 mm) drill, at 450 - 500 rpm. Do not add cement or any other additives.
  2. Backstop NTX
    - a. Open the bucket with a utility knife or lid-off.
    - b. Backstop NTX is ready to use after an initial spin-up using a "Twister" paddle or equivalent mixing blade, powered by a 1/2 in (12.7 mm) drill, at 450 - 500 rpm. Do not add cement or any other additives.
  3. Backstop DMS (can also be used as adhesive)
    - a. See [DS704](#) for mixing instructions
- C. Adhesive
  1. Primus or Genesis
    - a. Open the bucket with a utility knife or lid-off.
    - b. Due to shipping and storage, there may be some separation of materials. Prior to splitting the material and adding Portland cement, mix the material thoroughly. Use a "Twister" paddle or equivalent mixing blade powered by a 1/2 in (12.7 mm) drill, at 500 - 1200 rpm only. NOTE: A minimum 7 amp drill works best for Portland cement based materials. CAUTION: Do not over-mix or use other types of mixing blades as air entrapment and product damage may occur and result in workability and performance problems.
    - c. Pour 1/2 of the freshly mixed material [approximately 30 lbs (13.5 kg)] into a clean plastic container.

- d. Add 1/3 of a bag [approximately 30 lbs (13.5 kg)] of fresh, lump free Type I, II or 1L Portland cement. Either gray or white cement is acceptable. Add cement slowly and mix thoroughly. Do not add large quantities of cement at one time.
- e. Clean potable water may be added to the mixture to adjust the workability.
  - 1) Primus
    - a) Add as little water as possible, in small increments, and only after the Portland cement is thoroughly mixed. Do not over water as this will degrade the performance and promote efflorescence.
    - b) Mix the Primus material with Portland cement thoroughly; then wait five (5) minutes and mix again to break the initial set. Retempering with a small amount of water is permissible provided the mixture has not set. The mixture has a pot life similar to other Portland cement plaster material. Mix only as much material as can be conveniently used during a work period.
  - 2) Genesis
    - a) Add 1 qt (950 ml) of water prior to adding Portland cement. Additional water may be added to adjust workability.
    - b) Mix the Genesis material with Portland cement thoroughly; then wait ten to fifteen (10 - 15) minutes and mix again to break the initial set. Retempering with a small amount of water is permissible provided the mixture has not set. The mixture has a pot life similar to other Portland cement plaster material. Mix only as much material as can be conveniently used during a work period

## 2. Primus DM

- a. Pail Mixing
  - 1) One 50 lb (22.7 kg) bag of material will produce approximately 5 gal (19 L) of Primus DM mixture. Add 1.5 gal (5.7 L) of clean potable water into a clean plastic container.
  - 2) Add Primus DM slowly while mixing using a "Twister" paddle or equivalent mixing blade, powered by a 1/2 in (12.7 mm) drill, at 500 - 1200 rpm. NOTE: A minimum 7 amp drill works best for Portland cement based materials.
  - 3) Thoroughly mix until uniformly wetted, adjusting consistency with a small amount of water or Primus DM material.
  - 4) Allow the mixture to set a minimum of five (5) minutes then retemper, adding a small amount of water if necessary. Material must be free of lumps before using.
- a. Mortar Mixer
  - 1) Add 1.5 gal (5.7 L) of clean potable water for each 50 lb (22.7 kg) bag of Primus DM into a clean mortar mixer.

- 2) Add the Primus DM while the mixer is running. Mix three to five (3 – 5) minutes, shut mixer off for five (5) minutes, then run mixer for another two to three (2 – 3) minutes to break the set and add a small amount of water if necessary to adjust the workability. The pot life is one to three (1 - 3) hours depending on weather.
3. Genesis DM
    - a. Pail Mixing
      - 1) One bag of Genesis DM will produce approximately 5 gal (19 L) of Genesis DM mixture. To a clean 5 gal (19 L) pail, add 6 - 7 qt (5.7 - 6.6 L) of clean potable water.
      - 2) Add the Genesis DM slowly while constantly mixing with a "Twister" paddle or equivalent mixing blade, powered by a 1/2 in (12.7 mm) drill, at 500 - 1200 rpm. NOTE: A minimum 7 amp drill works best for Portland cement based materials.
      - 3) Thoroughly mix until uniformly wetted, adjusting consistency with a small amount of water or Genesis DM.
      - 4) Let set for ten (10) minutes. Retemper, adding a small amount of water if necessary. Material must be free of lumps before using.
    - b. Mortar Mixer
      - 1) Add 6 - 7 qt (5.7 - 6.6 L) of clean potable water for each 50 lb (22.7 kg) bag of Genesis DM into a clean mortar mixer.
      - 2) Add the Genesis DM while the mixer is running. Mix three to five (3 – 5) minutes, shut the mixer off for ten (10) minutes, then run mixer for another two to three (2 – 3) minutes to break the set adding a small amount of water if necessary to adjust workability. The pot life is one to one and one half (1 – 1 1/2) hours depending on weather.
  4. Genesis DMS
    - a. Sprayer
      - 1) Connect a source of clean, cool potable water to a spray machine suitable for EIFS applications.
      - 2) Regulate the water flow rate to provide the desirable mixing consistency of material. Material may thicken up upon leaving the mixing cylinder at a given water flow and loosen up after pumping. NOTE: The consistency for application must be determined after pumping.
    - b. Pail Mixing
      - 1) One bag of Genesis DMS will produce approximately 5 gal (19 L) of Genesis DMS mixture. To a clean 5 gal (19 L) pail, add 7 - 9 qt (6.6 - 8.5 L) of clean, cool potable water.
      - 2) Add the Genesis DMS slowly while continuously mixing with a "Twister" paddle or equivalent mixing blade, powered by a 1/2 in (12.7 mm) drill, at 500 - 1200 rpm. NOTE: A minimum 7 amp drill works best for Portland cement based materials.
      - 3) Thoroughly mix until uniformly wetted, adjusting consistency with a small amount of water or Genesis DMS.
      - 4) Let set for five (5) minutes. Retemper, adding a small amount of water if necessary. Material must be free of lumps before using.
    - b. Mortar Mixer
      - 1) Add 7 - 9 qt (6.6 - 8.5 L) of clean, cool potable water for each 50 lb (22.7 kg) bag of Genesis DMS into a clean mortar mixer.
      - 2) Add the Genesis DMS while the mixer is running. Mix three to five (3 – 5) minutes, shut the mixer off for five (5) minutes, then run mixer for another two to three (2 – 3) minutes. Retemper, adding a small amount of water if necessary. Material must be free of lumps before using. The pot life is one to three (1 - 3) hours depending on weather.

## 5. Rapidry DM 35-50

### a. Pail Mixing

- 1) One 50 lb (22.7 kg) bag of Rapidry DM 35-50 will produce approximately 5 gal (19 L) of Rapidry DM 35-50 mixture. To a clean Dryvit 5 gal (19 L) pail, add 6.5 qt (6.1 L) of clean potable water. As an alternative, on the inside of the Dryvit 5 gal (19 L) pail, draw a horizontal line which measures 4 7/16 in (113 mm) from the base of the pail and fill with water.
- 2) Add the Rapidry DM 35-50 slowly while mixing with a "Twister" paddle or equivalent mixing blade, powered by a 1/2 in (12.7 mm) drill, at 500 - 1200 rpm. NOTE: A minimum 7 amp drill works best for Portland cement based materials.
- 3) Thoroughly mix until uniformly wetted, adjusting consistency with a small amount of water or Rapidry DM 35-50 material. Material must be free of lumps before using.

### b. Mortar Mixer

- 1) Add 6.5 qt (6.1 L) of clean potable water for each 50 lb (22.7 kg) bag of Rapidry DM 35-50 into a clean mortar mixer.
- 2) Add the Rapidry DM 35-50 while the mixer is running. Mix for three to five (3 - 5) minutes adjusting consistency with a small amount of water or Rapidry DM 35-50. Material must be free of lumps before using. The pot life is approximately 30 minutes depending on temperature.

## 6. Rapidry DM 50-75

### a. Pail Mixing

- 1) One 45 lb (20.4 kg) bag of Rapidry DM 50-75 will produce approximately 5 gal (19 L) of Rapidry DM 50-75 mixture. To a clean Dryvit 5 gal (19 L) pail, add 5.5 qt (5.2 L) of clean potable water. As an alternative, on the inside of the Dryvit 5 gal (19 L) pail, draw a horizontal line which measures 3 13/16 in (97 mm) from the base of the pail and fill with water.
- 2) Add the Rapidry DM 50-75 slowly while mixing with a "Twister" paddle or equivalent mixing blade, powered by a 1/2 in (12.7 mm) drill, at 500 - 1200 rpm. NOTE: A minimum 7 amp drill works best for Portland cement based materials.
- 3) Thoroughly mix until uniformly wetted, adjusting consistency with a small amount of water or Rapidry DM 50-75 material.
- 4) Let set for five (5) minutes. Retemper, adding a small amount of water if necessary. Material must be free of lumps before using.

### b. Mortar Mixer

- 1) Add 5.5 qt (5.2 L) of clean potable water for each 45 lb (20.4 kg) bag of Rapidry DM 50-75 into a clean mortar mixer.
- 2) Add the Rapidry DM 50-75 while the mixer is running. Mix for three to five (3 - 5) minutes, shut the mixer off for 5 minutes, then run mixer for another two to three (2 - 3) minutes to break the set adjusting consistency with a small amount of water or Rapidry DM 50-75. The pot life is approximately 30 minutes depending on temperature.

## D. Base Coat Only

### 1. NCB

- a. Open the bucket with a utility knife or lid-off.
- b. Mix NCB to a smooth, homogeneous consistency with a "Twister" paddle or equivalent mixing blade, powered by a 1/2 in (12.7 mm) drill, at 450 - 500 rpm. A small amount of clean potable water may be added to adjust workability.

### 2. Dryflex

- a. Open the bucket with a utility knife or lid-off.
- b. Due to shipping and storage, there may be some separation of materials. Prior to splitting the material and adding Portland cement, mix the material thoroughly. Use a "Twister" paddle or equivalent mixing blade, powered by a 1/2 in (12.7 mm) drill, at 500 - 1200 rpm. NOTE: A minimum 7 amp drill works best for Portland cement based materials. CAUTION: Do not over-mix or use other types of mixing blades as air entrapment and product damage may occur and result in workability and performance problems.

- a. Pour 1/2 of the freshly mixed material [approximately 22.5 lbs (10.21 kg)] into a clean plastic container.
- b. Add 1/4 of a bag [approximately 22.5 lbs (10.21 kg)] of fresh, lump free Type I, II or 1L Portland cement. Either gray or white cement is acceptable. Add cement slowly and mix thoroughly. Do not add large quantities of cement at one time.
- c. Clean potable water may be added to the mixture to adjust the workability. Add as little water as possible, in small increments, and only after the Portland cement is thoroughly mixed. Do not over-water as this will degrade the performance and promote efflorescence. NOTE: It is advisable to mix the Dryflex material with Portland cement thoroughly; then wait five (5) minutes and mix again to break the initial set. Retempering with a small amount of water is permissible provided the mixture has not set. The mixture has a pot life similar to any Portland cement material. Mix only as much material as can be conveniently used during a work period.

E. Primers

1. Color Prime™, Color Prime - W™, Primer with Sand™, and Weatherprime®
  - a. Mix material with a “Twister” paddle or equivalent mixing blade, powered by a 1/2 in (12.7 mm) drill, at 450 - 500 rpm to a homogeneous consistency.

F. Finish

1. Quarzputz®, Quarzputz® E, Sandblast®, Freestyle®, Sandpebble®, Sandpebble® E, Sandpebble® Fine, Sandpebble® Fine E, Finesse, HDP™ finishes and Weatherlastic® finishes.
  - a. Thoroughly mix the factory-prepared Dryvit finish with a “Twister” paddle or equivalent mixing blade powered by a 1/2 in (12.7 mm) drill, at 450 - 500 rpm, until a uniform, homogeneous consistency is attained. A small amount of clean potable water may be added to adjust workability. Always add the same amount of water to each pail within a given lot to avoid color variation.

G. Specialty Finishes

1. Ameristone
  - a. Mix Ameristone for approximately one (1) minute to ensure uniformity using a “Twister” paddle or equivalent mixing blade powered by a 1/2 in (12.7 mm) drill, at 450 - 500 rpm, just prior to application. DO NOT OVERMIX.
  - b. Mix all pails for the same amount of time.
  - c. If clean potable water is added as described in [DS142](#) for various application techniques, the same amount must be added to each pail.
2. Stone Mist®
  - a. Mix Stone Mist for one (1) minute to ensure uniformity using a “Twister” paddle or equivalent mixing blade, powered by a 1/2 in (12.7 mm) drill, 450 - 500 rpm, just prior to application. DO NOT OVERMIX.
3. TerraNeo
  - a. Mix TerraNeo for one (1) minute just prior to application, to ensure uniformity using a “Twister” paddle or equivalent mixing blade, powered by a 1/2 in (12.7 mm) drill, at 450 - 500 rpm. DO NOT OVERMIX.
4. Limestone
  - a. Mix Limestone with a “Twister” paddle or equivalent mixing blade, powered by a 1/2 in (12.7 mm) drill, at 450 - 500 rpm until a uniform workable consistency is attained.
5. Custom Brick Finishes
  - a. For Custom Brick finishes, refer to Dryvit Custom Brick Application Instructions, [DS154](#), for complete mixing instructions.
6. Reflectit™
  - a. Refer to Reflectit Data Sheet [DS705](#) and Application Instructions [DS124](#) for complete instructions.

H. Coatings and Sealers

1. Demandit® Smooth and Demandit Sanded, HDP Water-Repellent Coating, Weathercoat™ and Weatherlastic® Smooth
  - a. Mix material with a “Twister” paddle or equivalent mixing blade, powered by a 1/2 in (12.7 mm) drill, at 450 - 500 rpm to a homogeneous consistency.



2. Tuscan Glaze™
  - a. Mix Tuscan Glaze with a “Twister” paddle or equivalent mixing blade, powered by a 1/2 in (12.7 mm) drill, at 450 - 500 rpm to a homogeneous consistency, immediately prior to application. As an alternate, boxing of buckets is acceptable. Continuously agitate throughout application to ensure color consistency.
3. SealClear™
  - a. Stir material thoroughly before using and stir often during the application process. As an alternate, boxing of buckets is acceptable.

---

#### 4. ROUGH OPENING PREPARATION OPTIONS

##### A. AquaFlash System Option

1. AquaFlash must be installed to provide a continuous barrier from the air/water-resistive barrier/sheathing substrate onto the framing edges at discontinuities and terminations such as openings, expansion joints, tops of parapets, etc. Refer to Dryvit Outsulation PE System Installation Details, [DS846](#).

##### 2. Surface Preparation

- a. Apply only when air and surface temperatures are from 40 °F (4 °C) minimum to 100 °F (38 °C) maximum.
- b. The surface to receive the AquaFlash System must be clean, dry, smooth and free of any condition that will hinder adhesion.
- c. Clean loose dust or dirt from the surface by wiping with a clean, dry cloth or brush.

##### 3. AquaFlash System Application

- a. Rough Openings (Windows, Doors, Others)
  - 1) Cut AquaFlash Mesh to proper length [rough opening plus 4 in (102 mm)] extending 2 in (51 mm) past each jamb – Figure 1.

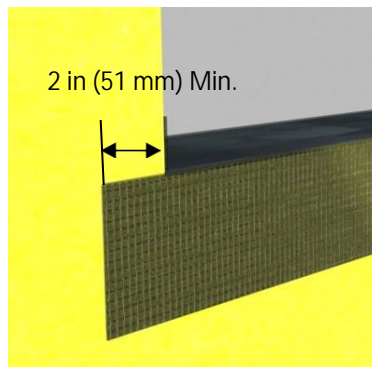


Fig. 1

- 2) Begin at the sill of an opening. Using a brush or 3/4 in (19 mm) nap roller, apply a liberal coat of AquaFlash Liquid material to the air/water-resistive barrier/substrate surface.  
NOTE: The AquaFlash System must extend to the interior face of the wall opening.
- 3) Immediately lay the AquaFlash Mesh into the wet material and brush smooth adding additional material to completely embed the mesh - Figure 2.

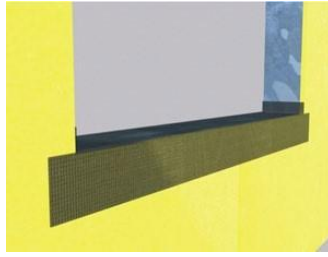


Fig. 2

- 4) Install the AquaFlash System at the jambs in the same manner overlapping onto the sill material a minimum of 2 in (51 mm) – Figure 3.

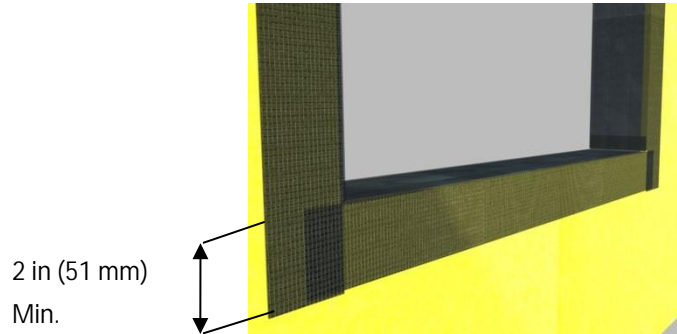


Fig. 3

- 5) Install the AquaFlash System at the head overlapping the jamb pieces a minimum of 2 in (51 mm) – Figure 4

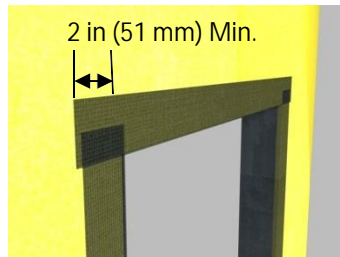


Fig. 4

- 5a. As an alternative, preformed Dryvit AquaFlash Corners can be applied at each corner of the opening to reduce the number of field cuts required. The AquaFlash Corners are installed in the same manner as the AquaFlash Mesh. – Figure 5

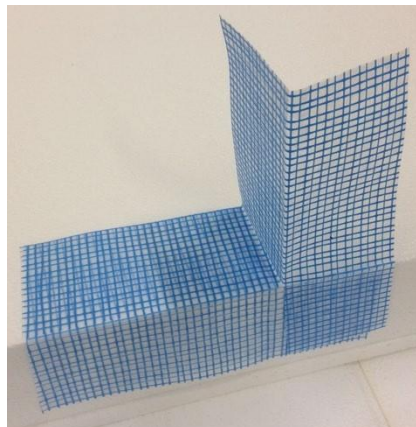


Fig. 5

- 6) Install diagonal “butterflies” consisting of AquaFlash Liquid and AquaFlash Mesh at each sill/jamb corner – Figure 6.

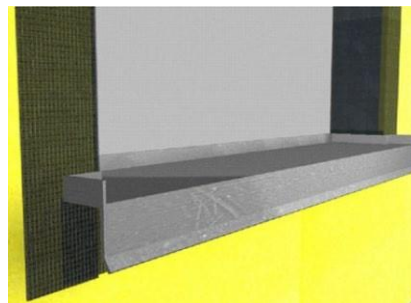


Fig. 6

- 7) Allow material to set for approximately 15 minutes then apply a second liberal coat of AquaFlash Liquid and smooth out to ensure a continuous film free of voids, pinholes, or other discontinuities.

#### 4. Sill Pan Flashing (Exposed)

- a. Install a watertight pan flashing at all sill locations - Figure 7.
- b. The flashing shall extend between the framing members of the rough opening and shall be sized to protect the sill, sheathing and the surface of the Outsulation PE System. It must include vertical legs at the back and sides to ensure proper collection of water. NOTE: All flashing shall be continuous, have watertight seams and shall be configured to shed all water to the exterior of the system.
- c. The flashing shall extend a minimum of 2 1/2 in (64 mm) down over the face of the Outsulation PE System - Figure 7.



2 1/2 in  
(64 mm) Min.

Fig. 7

#### 5. Sill Pan Flashing (Concealed) for use with nail-on-windows

- a. Install a watertight pan flashing at all sill locations.
- b. The flashing shall extend between the framing members of the rough opening and shall be sized to protect the sill and sheathing. It must include vertical legs at the back and sides to ensure proper collection of water. It shall extend a minimum of 4 in (102 mm) below the opening and have a sloped horizontal leg which continues over the top edge of the Outsulation PE System. NOTE: All flashing shall be continuous, have watertight seams and shall be configured to shed all water to the exterior of the system.

#### 6. Installation of AquaFlash Over Metal or PVC Flashing Materials

- a. The AquaFlash System may be applied directly over clean galvanized, painted metal, or PVC flashing. Fig. 7
- b. Prepare rough opening as described in Section IV.A.3.
- c. Install flashing material per contract documents.
- d. Clean the surface of the flashing to ensure that it is free of dirt, dust, oil, or other contaminants that may interfere with adhesion. NOTE: PVC products should be lightly abraded to break the surface skin and provide tooth for the coating.

- e. Cut AquaFlash Mesh to proper length [flashing plus 4 in (102 mm) extending 2 in (51 mm) beyond each end of flashing] - Figure 8.

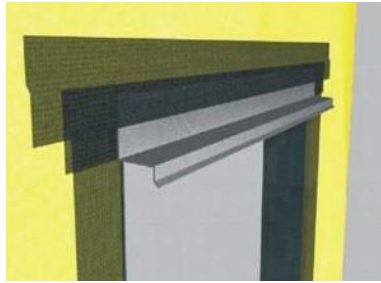


Fig. 8

- f. Using a brush or 3/4 in (19 mm) nap roller, apply a liberal coat of AquaFlash Liquid material to the flashing and adjacent air/water-resistive barrier/substrate surface.
- g. Immediately lay the AquaFlash Mesh into the wet material and brush smooth adding additional material to completely embed the mesh.
- h. Allow material to set for 15 minutes then apply a second liberal coat of AquaFlash Liquid and smooth out to ensure a continuous film free of voids, pinholes, or other discontinuities and allow to dry.

## B. Dryvit Backstop NTX Option

### 1. Surface Preparation

- a. Apply only when air and surface temperatures are from 40 °F (4 °C) minimum to 100 °F (38 °C) maximum.
- b. The surface to receive the Backstop NTX must be clean, dry, smooth and free of any other condition that will hinder adhesion.
- c. Remove loose dust or dirt from the surface by wiping with a clean, dry cloth or brush

### 2. Dryvit Backstop NTX Application

NOTE: Backstop NTX may be applied to the sill of the opening but it must also be covered with either the Dryvit AquaFlash System.

- a. Rough Openings (Windows, Doors, Others)
  - 1) Apply Dryvit Grid Tape along the jambs and head of the opening as well as all sheathing joints that may intersect the opening and lap onto face of wall a minimum of 2 in (51 mm). Add additional pieces of Grid Tape at the inside corners of the opening to maintain continuity – Figure 9.

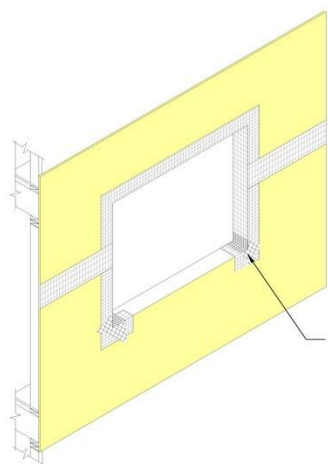
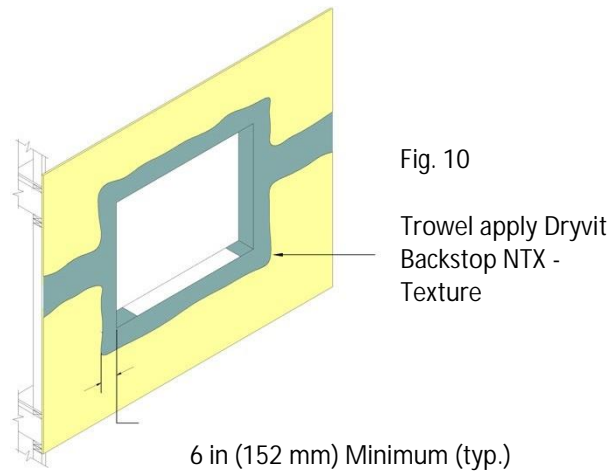


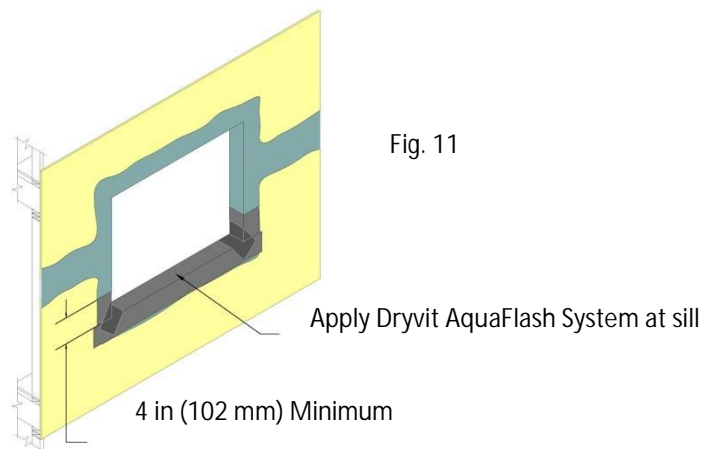
Fig. 9

Apply Dryvit Grid Tape at corners

- Using a stainless steel trowel apply Backstop NTX – Texture over the Grid Tape extending to the inside face of the opening and onto the face of the exterior sheathing a minimum of 6 in (152 mm) – Figure 10.



- Apply Dryvit AquaFlash System at sill in accordance with Sections IV.A.3 and IV.C respectively. NOTE: AquaFlash System must extend up the jambs a minimum of 4in (102 mm) – Figure 11.



- Install the specified component (i.e. window, etc.) and associated flashings per manufacturer's directions and contract documents. Then apply Backstop NTX – Texture or Smooth to the remainder of the wall surface as described in Section VI and lap over the previously installed material around openings – Figure 12..

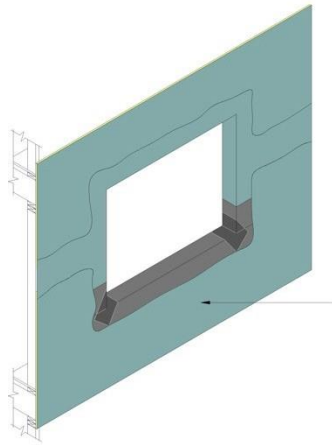


Fig. 12

Dryvit Backstop NTX – Texture, Smooth applied over the entire surface of the wall

## 5. SUBSTRATE EXPANSION JOINT BRIDGING OPTIONS

### A. AquaFlash System Option

#### 1. Surface Preparation

- Apply only when air and surface temperatures are above 40 °F (4 °C).
- The surface to receive AquaFlash System must be clean, dry, smooth and free of any condition that will hinder adhesion.
- Clean loose dust or dirt from the surface by wiping with a clean, dry cloth or brush.

#### 2. AquaFlash System Application

- The width of the AquaFlash Mesh must overlap each side of the joint a minimum of 2 in (51 mm) - Figure 14.
- Clean the joint to allow for the installation of a backer material. Install a closed cell polyethylene backer rod sized a minimum of 50% larger than the joint width. Install so that the backer rod is recessed or projects a minimum of 1/4 in (6.4 mm) from the wall surface.

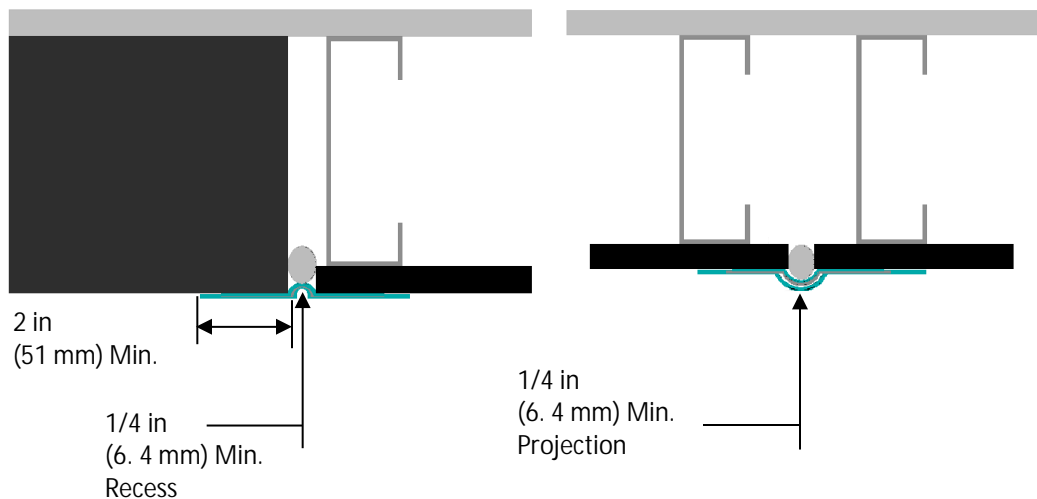


Fig. 14

- c. Using a brush or 3/4 in (19 mm) nap roller, apply a liberal coat of AquaFlash Liquid material to the backer rod and adjacent substrate surface to the width of the AquaFlash Mesh - Figure 15.

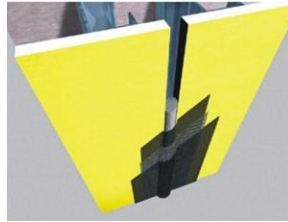


Fig. 15

- d. Immediately lay the AquaFlash Mesh into the wet material and brush smooth adding additional material to completely embed the mesh.
- e. Allow material to set for 15 minutes then apply a second liberal coat of AquaFlash Liquid and smooth out to ensure a continuous film free of voids, pinholes, or other discontinuities.

---

## 6. AIR/WATER-RESISTIVE BARRIER APPLICATION

- a. When using Backstop DMS refer to [DS704](#).
- b. Ensure that the wall surface and ambient temperature are above 40 °F (4 °C) and rising at the time of application.  
WARNING: Do not apply the Dryvit materials in the rain. The underlying wall materials and substrate surface must be dry prior to applying the air/water-resistive barrier.
- c. Sheathing Substrates
  - i. Prior to applying the Backstop NTX over a sheathing substrate, check to ensure that:
    - 1. The sheathing is of a type listed in the Outsulation PE System Specification, [DS844](#).
    - 2. The sheathing is structurally sound, free of loose material, voids, projections or other conditions that may interfere with the installation of the Outsulation PE System.
    - 3. The sheathing is clean, dry, and free of grease, oil, paint and other foreign material.
    - 4. There are no planar irregularities greater than 1/4 in (6.4 mm) within any 4 ft (1.2 m) radius. SHEATHING WITH GAPS OR DAMAGE EXCEEDING 6.4 mm (1/4 in) IN ANY ONE DIRECTION MUST BE REPLACED. NOTE: Notify the general contractor and/or architect and/or owner of all discrepancies. Do not proceed until all unsatisfactory conditions have been corrected.
- d. Concrete or Masonry Substrates  
NOTE: Backstop NTX - Texture or Backstop DMS are the only accepted products for use over concrete and masonry.
  - i. Prior to applying the Backstop NTX - Texture over a concrete or masonry substrate, check to ensure that:
    - 1. All cracks are repaired using appropriate procedures and materials.
    - 2. The substrate is structurally sound, free of loose material, voids, projections or other conditions that may interfere with the installation of the Outsulation PE System.
    - 3. The substrate is clean, dry, free of grease, oil, paint, form release agents, efflorescence and other foreign materials that may inhibit adhesion.
    - 4. There are no planar irregularities greater than 1/4 in (6.4 mm) within any 4 ft (1.2 m) radius.
      - a. Mortar joints that are not struck flush or heavily textured masonry units shall be skim coated with Dryvit Genesis or Genesis DM prior to the application of Backstop NTX - Texture.
        - i. Mix Genesis or Genesis DM in accordance with Section III.C.1 or III.C.3, respectively.
        - ii. With a stainless steel trowel, apply a coat of the Genesis mixture or Genesis DM mixture over the substrate to fill the mortar joints and surface texture to provide a uniform smooth surface for the application of the Backstop NTX - Texture.
        - iii. Allow the skim coat to completely dry prior to applying the Backstop NTX - Texture.

e. Usage Application Chart

**BACKSTOP NTX (BSNTX) – TEXTURE, SMOOTH, AND SPRAY USAGE/APPLICATION CHART**

			APPROX. COVERAGE PER PAIL	APPROX. COVERAGE PER DRUM
--	--	--	---------------------------	---------------------------

EXTERIOR GRADE GYPSUM SHEATHING

Joints <sup>a</sup>	BSNTX-Texture	Trowel	300 lin. ft. (91 m)
	BSNTX- Texture	Trowel, FoamPRO #58 Roller <sup>b</sup>	250-300 ft <sup>2</sup> (23-28 m <sup>2</sup> )
	BSNTX-Smooth <sup>c</sup>	1/2 in (12.7 mm) Nap Roller or Texture Sprayer	500 ft <sup>2</sup> (46 m <sup>2</sup> )
Face <sup>e</sup>			

FIBERGLASS FACED EXTERIOR GYPSUM SHEATHING

Joints <sup>a</sup>	BSNTX-Texture	Trowel	300 lin. ft. (91 m)
	BSNTX-Texture	Trowel, or Texture Sprayer	250-300 ft <sup>2</sup> (23-28 m <sup>2</sup> ) [includes joints]
	BSNTX- Smooth <sup>c,g</sup>	3/4 in (19 mm) Nap Roller or Texture Sprayer	400 ft <sup>2</sup> (37 m <sup>2</sup> )
Face <sup>e</sup>			

EXPOSURE 1, EXTERIOR GRADE, AND FIRE RETARDANT TREATED PLYWOOD; AND EXTERIOR CEMENT BOARD

Joints <sup>a</sup>	BSNTX-Texture	Trowel	300 lin. ft. (91 m)
	BSNTX-Texture	Trowel, FoamPRO #58 Roller <sup>b</sup> or Texture Sprayer	250-300 ft <sup>2</sup> (23-28 m <sup>2</sup> )
	BSNTX- Smooth <sup>c</sup>	1/2 in (12.7 mm) Nap Roller or Texture Sprayer	400 ft <sup>2</sup> (37 m <sup>2</sup> )
Face <sup>e</sup>			

APA EXPOSURE 1 RATED ORIENTED STRAND BOARD (OSB)

Joints <sup>a</sup>	BSNTX-Texture	Trowel	300 lin. ft. (91 m)
	BSNTX- Smooth <sup>g</sup>	1/2 in (12.7 mm) Nap Roller or Texture Sprayer	350-400 ft <sup>2</sup> (33-37 m <sup>2</sup> ) applied in 2 coats, backrolled
Face <sup>e</sup>			

CONCRETE AND MASONRY<sup>d,g</sup>

Face	BSNT-Texture	Trowel <sup>f</sup>	200-250 ft <sup>2</sup> (19-23 m <sup>2</sup> ) <sup>f</sup> applied in 1 coat
	BSNT-Texture	FoamPRO #58 Roller or Texture Sprayer	200-250 ft <sup>2</sup> (19-23 m <sup>2</sup> ) <sup>f</sup> applied in 2 coats, backrolled

a Tape the joints with Dryvit Grid Tape prior to application of Backstop NTX - Texture at joints and screw heads.  
 b Up to 1 pint (16 oz) of water may be added to a 60 lb pail of Backstop NTX - Texture for roller or spray applications only. The FoamPRO #58 roller cover (FoamPRO Mfg., Inc., www.foampromfg.com) is available at home supply stores.  
 c Because of application methodology and absorptive surface differences, two coats may be required to obtain this coverage.  
 d Due to variations in types of concrete/masonry, apply a 6 ft x 6 ft test area with coverage as indicated in the chart, before proceeding with the entire job. If there are voids in the substrate, particularly at the mortar joints, the job should be parged with Genesis®, 24 hours prior to BSNT - Texture application. Backstop NTX shall NOT be used as a skim coat for parging CMU joints or heavy textured units.  
 e Backstop NTX - Texture (with up to 1 pint water addition per 60 lb. pail) or Smooth may be sprayed and backtrowelled/backrolled.<sup>f</sup> Coverage may vary depending on the texture and porosity of the substrate. Coverage assumes a smooth, dense surface.  
 g Backstop NTX should be applied at the recommended coverage rates to form a continuous film free of voids, pinholes or other discontinuities. The

Backstop NTX	12 DFT	20* WFT
Texture	12 DFT	20* WFT
Backstop NTX	9 DFT	15* WFT
SmoothBackstop		

Refer to Product Data Sheets for Complete Mixing and Application Instructions



f. Application of Backstop NTX

i. Dryvit Grid Tape (not required with concrete and masonry substrates)

1. For sheathing substrates, apply the Dryvit Grid Tape along all joints in the sheathing, as well as inside corners, outside corners, and exposed edges at terminations that will not be covered with Dryvit AquaFlash.
2. Center the Dryvit Grid Tape on the sheathing joints, edges, etc. with the pressure sensitive adhesive backing in contact with the sheathing surface. Press into position with hand pressure until adhesion is achieved.
3. Apply only enough Dryvit Grid Tape as can be covered with Backstop NTX - Texture in the same day.

ii. Dryvit Backstop NTX - Texture Application

1. General: Backstop NTX - Texture can be applied using a roller, trowel or spray equipment over the listed substrates, as noted in the usage chart above. Backstop NTX - Texture should be applied at the recommended coverage rate to achieve a continuous film at a minimum dry film thickness of approximately 3 mils (0.08 mm).
2. Roller Application
  - a. Apply Dryvit Grid Tape as described in Section VI.E.1 above. Mix the Backstop NTX - Texture material as described in Section III.B.2. Using a stainless steel trowel or spatula, apply a layer of Backstop NTX - Texture over the Dryvit Grid Tape and spot all fastener heads – Figure 16.  
NOTE: Dryvit Grid Tape is not necessary over fastener heads.

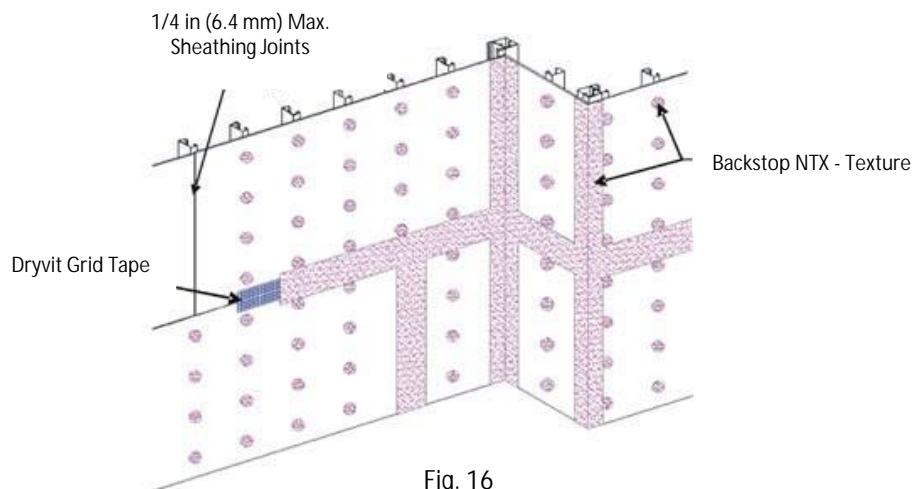


Fig. 16

- b. Allow to dry for a minimum of 2 hours or until dry to the touch. NOTE: Cool, humid conditions may require longer drying times
- c. Use a coarse, open-cell foam roller cover with a 3/8 in (9.5 mm) foam nap (FoamPRO #58 roller). Apply a uniform, continuous film of Backstop NTX – Texture over the entire surface of the sheathing, concrete or masonry, including the previously treated areas – Figure 17.  
NOTE: If the roller pulls material back out of the sheathing joints, it indicates that the joint material is not sufficiently dry.
  - i. For concrete and masonry, ensure that a continuous film of uniform thickness is applied across the entire surface and across mortar joints. Minimum 2 coats are required allowing a minimum of 2 hours between coats..

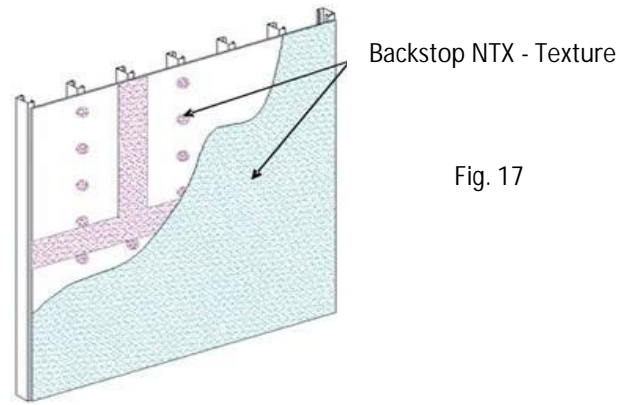


Fig. 17

- d. While the Backstop NTX - Texture is still wet, using a trowel or spatula, smooth out the Backstop NTX - Texture around all window and door perimeters and other areas - Figure 18.

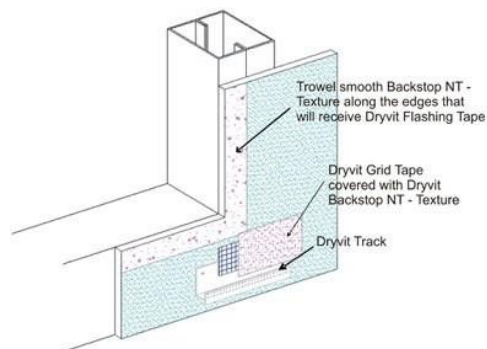


Fig. 18

- e. The Backstop NTX - Texture material should be applied in a uniform, continuous film at the recommended coverage rate. NOTE: Substrates with a surface texture or high porosity will require additional material.

### 3. Trowel Application

- a. Apply Dryvit Grid Tape as described in Section VI.E.1 above. Mix the material, as described in Section III.B.2, and using a stainless steel trowel or spatula, apply a layer of Backstop NTX - Texture over the grid tape. Spotting of fasteners is not necessary when applying Backstop NTX - Texture using a trowel. Allow to dry for a minimum of 2 hours or until dry to the touch.
- b. Using a stainless steel trowel, apply a continuous coating of Backstop NTX - Texture material onto the entire surface. The material should be applied at a smooth, uniform, continuous film approximately equal to the thickness of the aggregate.

### 4. Spray/Back-Rolling Application

- a. Apply Dryvit Grid Tape as described in Section VI.E.1 above. Mix the material as described in Section III.B.2 and using a stainless steel trowel or spatula, apply a layer of Backstop NTX - Texture over the grid tape and spot all fastener heads. Allow to dry for a minimum of 2 hours or until dry to the touch.
- b. After the first pass has dried, check the joints and spot any voids that may be present with additional Backstop NTX - Texture material and allow to dry.
- c. Using a hand held hopper gun or other suitable spray equipment; spray a layer of Backstop NTX - Texture onto the wall surface. Using a coarse, open-cell foam roller cover with a 3/8 in (9.5 mm) foam nap (FoamPro #58 roller), roll the material to create a smooth continuous film. NOTE: If the roller pulls material back out of the sheathing joints, it indicates that the joint material is not sufficiently dry.

- d. While Backstop NTX - Texture is still wet, using a trowel or spatula, smooth out the Backstop NTX -Texture around all window and door perimeters and other – Figure 18.
  - e. Backstop NTX - Texture material should be applied in a uniform, continuous film at the recommended coverage rate. NOTE: Substrates with a surface texture or high porosity will require additional material.
5. Allow the Backstop NTX – Texture to completely dry prior to installation of the Outsulation PE System
- iii. Backstop NTX - Smooth Application
    1. General: Dryvit Backstop NTX - Smooth can be applied using a roller or sprayed and back-rolled over the approved sheathing substrates.
    2. Sheathing Substrates: All fastener heads shall be spotted and joints treated with Backstop NTX - Texture and Dryvit Grid Tape, prior to Backstop NTX -Smooth application, in accordance with Section VI.E.2..
    3. Roller Application
      - a. Using the appropriate nap roller (see Usage Application Chart), apply the Backstop NTX - Smooth over the entire wall surface, including previously treated joints. NOTE: If the roller pulls material back out of the sheathing joints, it indicates that the joint material is not sufficiently dry.
      - b. Backstop NTX - Smooth material should be applied in a uniform, continuous film at the recommended coverage rate. NOTE: Sheathing substrates with a surface texture or high porosity will require additional material.
    4. Spray/Back-Rolling Application
      - a. Backstop NTX - Smooth may be applied to the wall using spray equipment and back-rolled using the appropriate nap roller (see Usage Application Chart).
      - b. Prior to proceeding, check the wall to ensure that the Backstop NTX - Smooth is continuous and spot any visible voids with additional Backstop NTX - Smooth material.
  5. Allow the Backstop NTX – Smooth to completely dry prior to installation of the Outsulation PE System.

## 7. ACCESSORIES

### a. Preparation

- i. The Dryvit Starter Strip, Dryvit Vent Assembly and Dryvit Vent Track are required along the base of walls and horizontal compartments.
  1. Provide a permanent or temporary support for the Dryvit Starter Strip and Dryvit Vent Assembly and mark the location of the vent assembly along the base of the wall. Vent assemblies should be spaced every 10 ft (3 m) along the base of the wall and horizontal compartments to match the slot locations in the Dryvit Vent Track. NOTE: Holes, created by fasteners used for temporary supports that penetrate the Backstop NTX air/water-resistive barrier, AquaFlash System, must be sealed with additional Backstop NTX mixture, AquaFlash System prior to adhering the Insulation Board and Closure Blocks.
- ii. The Dryvit Starter Strip and Dryvit Track are required at the heads of all openings.
  1. Because insulation board joints cannot align with corners of openings, first cut L-shaped pieces of starter strip for the corners of the opening. Then measure and cut the Dryvit Starter Strip to the proper length to fit between the corner pieces over the opening.
  2. Measure and cut the Dryvit Track so that it extends beyond the edges of the opening to the closest vertical groove in the insulation board. Refer to Dryvit Outsulation PE System Installation Details, [DS846](#).

### b. Installation

- i. Begin installation from a permanent or temporary support.
- ii. Mix the Dryvit adhesive in accordance with Section III.C.  
WARNING: Do not apply the Dryvit materials in the rain. The air/water-resistive barrier surface must be clean and dry prior to adhering the insulation board.
- iii. Cut the Detail Mesh to a working length.

- iv. Apply a ribbon of adhesive mixture on the substrate and position the Detail Mesh in the wet mixture allowing for a 2 1/2 in (64 mm) minimum overlap onto the face of the starter strip and vent assembly. Keep the mesh, which is not embedded, clean.
- v. Apply the adhesive mixture to the backside of the Dryvit Starter Strip and Dryvit Vent Assembly using a ribbon and dab pattern, and position on the wall. Press gently and slide into position applying uniform pressure to ensure full contact and high initial grab.
- vi. Using a margin trowel, remove any adhesive from the edges of the insulation boards that will abut other insulation boards. CAUTION: Do not allow adhesive to remain in board joints. Ensure that the insulation board joints are abutted tightly and are level and flush.
- vii. Install the Dryvit Vent Track and Dryvit Track by applying a continuous horizontal bead of Dryvit's TREMGrip on the wall side of the vertical nailing flange of the track and position over the Dryvit Starter Strip. When installing the Dryvit Vent Track the cut out (slot) must be located directly above the Dryvit Vent Assembly – Figure 19. Press firmly against the substrate to ensure firm and continuous contact between the adhesive and the wall surface. NOTE: It is recommended that the surface of the Drainage Track and Vent Track be lightly sanded to improve adhesion of Backstop NTX or AquaFlash.

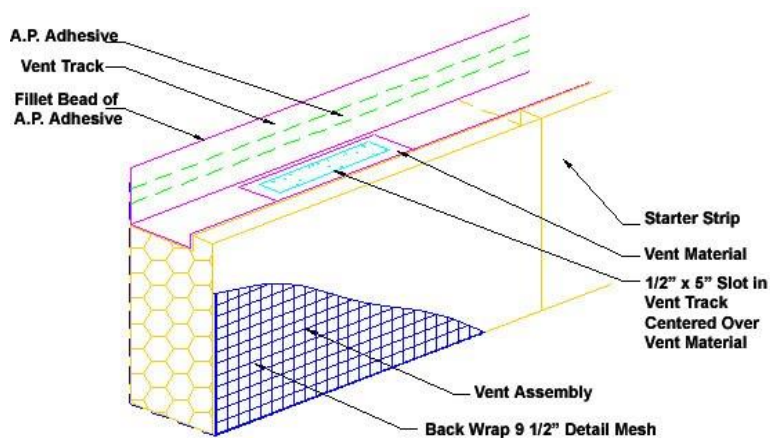


Fig. 19

- viii. Place a continuous bead of TREMGrip where pieces of track abut each other, to provide a seal.
- ix. Apply a bead of TREMGrip to fill the track at each compartment separation to close off the compartment.
- x. Install the AquaFlash System, Backstop NTX and Grid Tape on the flange of the Dryvit VentTrack and the adjacent wall in order to ensure water-tightness at the flange/wall interface. See Section IV for proper application.

## 8. INSTALLATION OF CLOSURE BLOCKS

- a. When using Backstop DMS refer to [DS704](#).
- b. Prior to installing the Closure Blocks, check to ensure that:
  - i. They are shipped in a polyethylene bag bearing the Dryvit name. In addition, the lot number of the insulation board shall be visible on the outside of the bag. Insulation board shall be obtained from Dryvit or its authorized distributors and made exclusively by manufacturers licensed by Dryvit
  - ii. One edge of each board shall bear the word Dryvit, the plant identification number of the block molder, the appropriate model code report number, and the name of the third party quality control agency with corresponding number. In addition, one board in each bag shall bear the same markings on the face.
  - iii. The Closure Blocks measure between 6 in (152 mm) and 12 in (305 mm) in width by 4 ft (1219 mm) in length. The minimum thickness is 2 in (51 mm).
  - iv. The insulation board meets the following tolerances:
    1. Length: Plus or minus 1/16 in (1.6 mm).

2. Width: Plus or minus 1/16 in (1.6 mm).
3. Thickness: Plus or minus 1/16 in (1.6 mm) for boards 2 in (51 mm) and greater.
4. Squareness: Shall not deviate from square by more than 1/32 in (0.8 mm) in 12 in (305 mm) of total length or width.
5. Edge Trueness: Shall not deviate more than 1/32 in (0.8 mm) in 12 in (305 mm).
6. Face Flatness: Shall not exhibit any bowing of more than 1/32 in (0.8 mm) in the length.

WARNING: Any insulation board, closure block or starter strip not meeting the above requirements should be rejected and not installed.

- v. The surface of the Backstop NTX is uniform in thickness, continuous, clean, dry and free of any foreign materials that will affect adhesion of the insulation board.

c. Dryvit Adhesive Application

- i. Mix the Dryvit adhesive in accordance with Section III.C

1. Cementitious Adhesive

- a. Notched Trowel Method

- i. Using a stainless steel trowel, install a ribbon of the adhesive mixture, 2 in (51 mm) wide by 3/8 in (9.5 mm) thick around the entire perimeter of the insulation board. Place eight (8) dabs of the adhesive mixture 3/8 in (9.5 mm) thick by 4 in (102 mm) in diameter approximately 8 in (203 mm) on center to the interior area of the insulation board.

NOTE: The ribbon and dab method of applying the adhesive mixture is only acceptable when applying Dryvit Starter Strips, Vent Assemblies and Closure Blocks. Notched trowel is not to be used with Closure Blocks.

2. Non-cementitious Adhesive

- a. TREMGrip - recommended for use in limited areas only, such as metal surfaces, including steel lintels, metal flashing, etc.

- i. Cut the smallest opening possible in spout (just large enough so adhesive can flow easily when gunned). It is intended to be applied in thin beads [approximately 3/8 in (9.5 mm)].

- ii. When using Backstop DMS refer to [DS704](#).

d. Vertical Boundaries

- i. Vertical compartment boundaries are located by the designer and should be noted in the contract documents.

1. Strike a chalk line on the Backstop NTX or substrate when using Backstop DMS to mark the location of the vertical compartment boundaries as shown in the contract documents.

2. Apply the Dryvit Adhesive mixture to the back of the Closure Blocks using a ribbon and dab adhesive pattern as shown in Figure 20 and position along the compartment separation line as shown in Figure 21.

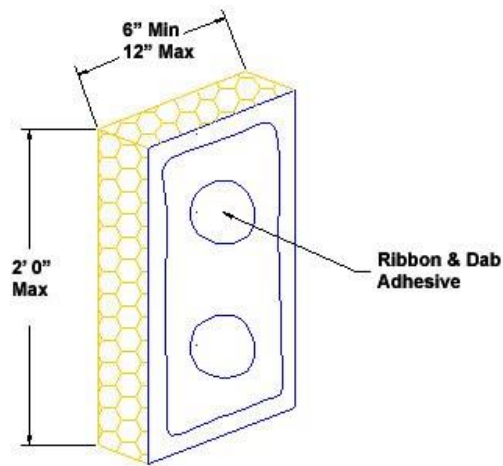


Fig. 20

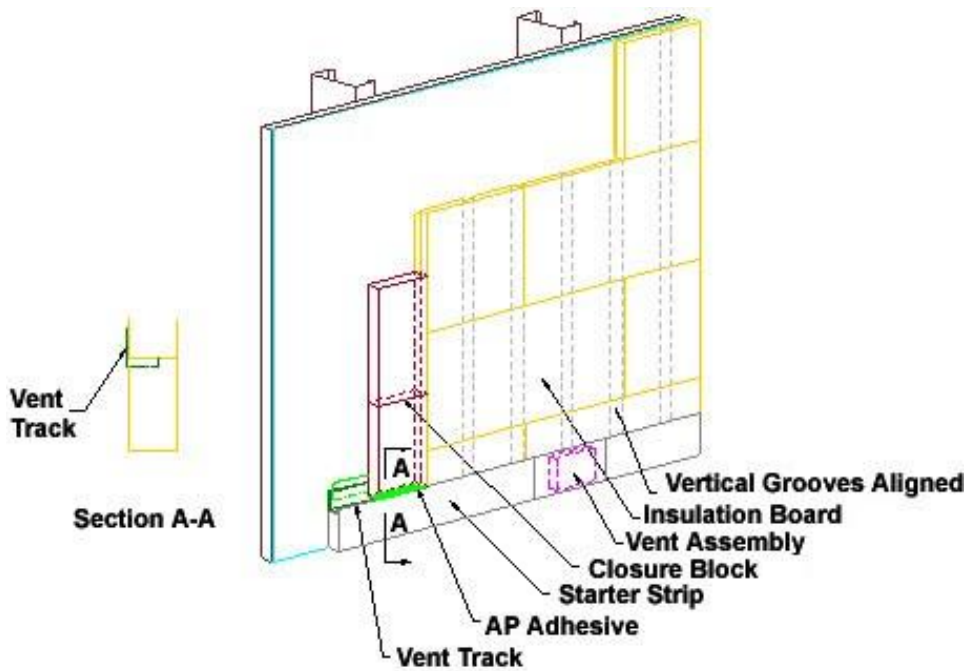


Fig. 21

e. Openings and Tops of Compartments

- i. Install 6 in (152 mm) wide Closure Blocks around all openings and tops of compartments. Install 12 in (305 mm) wide Closure Blocks on alternating sides of outside corners (see Figure 26), at vertical compartment boundaries (see Section VIII.C), and vertical system terminations.
- ii. Jamb, sills, tops of compartments and vertical system terminations
  1. Cut Detail Mesh to a working length.
  2. Apply a ribbon of adhesive mixture on the substrate and embed the Detail Mesh into the wet mixture. Position the Detail Mesh on the wall allowing for a 2 1/2 in (64 mm) minimum overlap onto the face of the Closure blocks. Keep the mesh which is not embedded clean.
  3. Apply the adhesive mixture to the back side of the Closure Blocks using a ribbon and dab pattern as shown in Figure 22 and position on the wall.

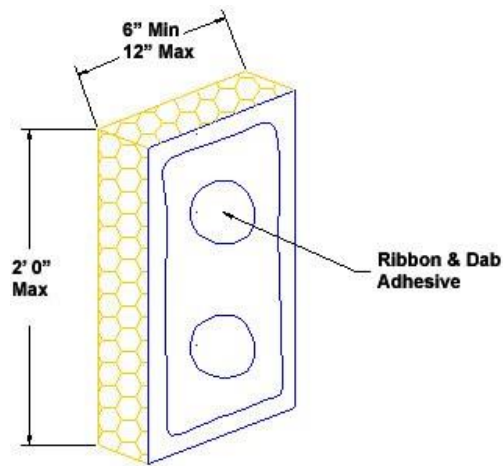


Fig. 22

iii. Heads of Openings

1. Because insulation board joints cannot align with corners of openings, first cut L-shaped pieces of starter strip for the corners of the opening. Then measure and cut the Dryvit Starter Strip to the proper length to fit between the corner pieces over the opening.
2. Mix the adhesive material as described in Section III.C.
3. Cut Detail Mesh to a working length.
4. Apply a ribbon of adhesive mixture on the substrate and position the Detail Mesh in the wet mixture allowing for a 2 1/2 in (64 mm) minimum overlap onto the face of the Starter Strip. Keep the mesh, which is not embedded, clean.
5. Notch the top of the Closure Block to accept the Dryvit Track, as shown in Figure 23. NOTE: Dryvit Starter Strips can be used above windows, doors, etc. This will minimize the required field notching to only L-shaped closure blocks at the corners.
6. Apply the adhesive mixture to the back side of the Closure Blocks/Starter Strips using a ribbon and dab pattern as shown in Figure 22 and position on the wall.

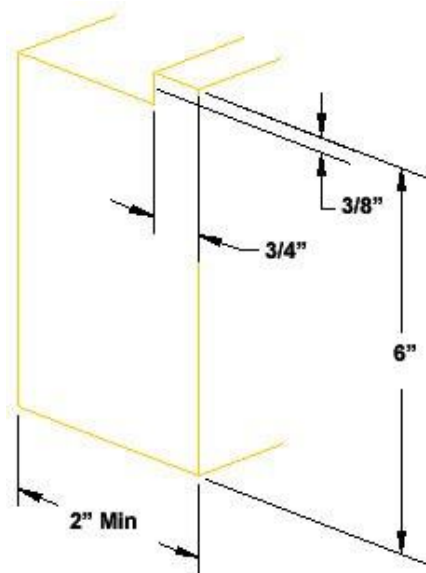


Fig. 23

7. Using a margin trowel, remove any adhesive from the edges of the Dryvit Starter Strip that will abut other Starter Strips. CAUTION: Do not allow adhesive to remain in board joints. Ensure that the Starter Strip joints are abutted tightly and are level and flush.
8. Offset the joints of the Closure Blocks a minimum of 6 in (152 mm) from the corner of the opening by using an L-shaped closure block at each corner as shown in Figure 24.

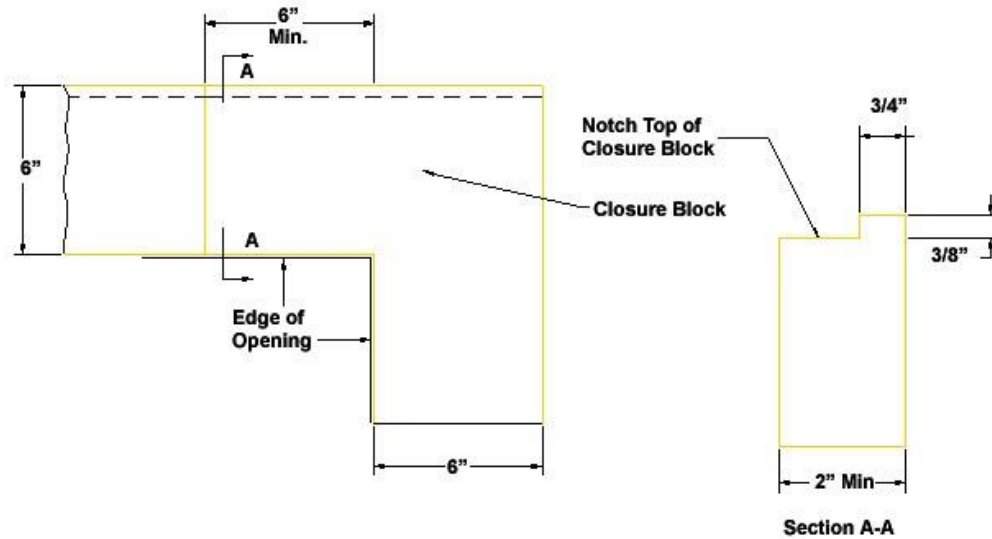


Fig. 24

9. Cut a piece of Dryvit Track to length so that it extends 1/4 in (6.4 mm) beyond the edge of the Closure Blocks as shown in Figure 25.

NOTE: The Dryvit Track must be continuous. Do not splice!

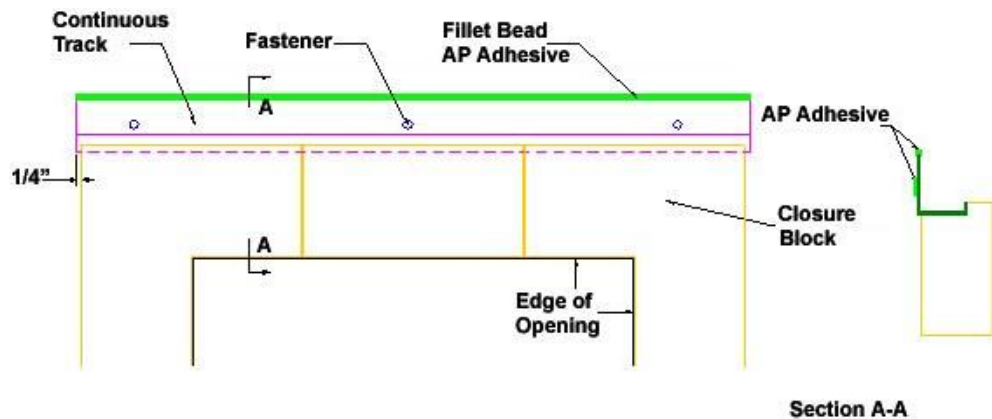


Fig. 25

10. Install the Dryvit Track by applying a continuous bead of Dryvit TREMGrip on the wall side of the vertical flange of the track and position over the Dryvit Starter Strip. Press firmly against the substrate to ensure firm and continuous contact between the adhesive and the wall surface. Additionally, secure with fasteners once track is in position. NOTE: It is recommended that the surface of the track be lightly sanded to improve adhesion of Backstop NTX or AquaFlash.
11. Install the AquaFlash System, Backstop NTX and Grid Tape on the flange of the Dryvit Vent Track and the adjacent wall in order to ensure water-tightness at the flange/wall interface. See Section IV for proper application.

iv. Inside and Outside Corners



1. Install 12 in (305 mm) wide Closure Blocks on alternating sides of inside and outside corners as shown in Figure 26.

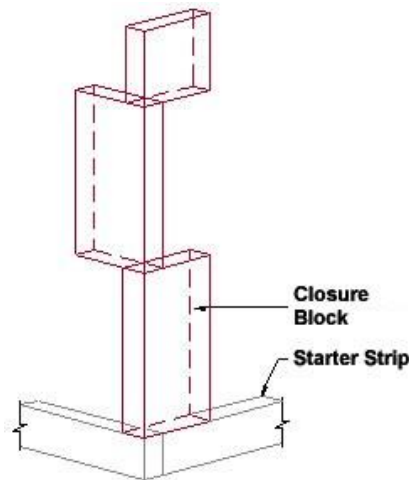


Fig. 26

2. Apply the adhesive mixture to the back side of the Closure Block using a ribbon and dab pattern. When installing Closure Blocks on outside corners, hold the adhesive mixture back from the edge of the board by the thickness of the foam and position on the wall as shown in Figure 27.

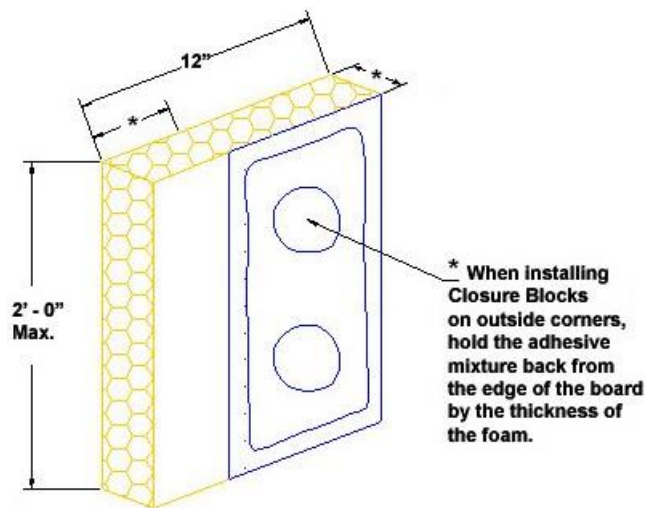


Fig. 27

## 9. INSTALLATION OF INSULATION BOARD

### a. Inspection

#### i. Prior to installing the Insulation Board, check to ensure that:

1. They are shipped in a polyethylene bag bearing the Dryvit name. In addition, the lot number of the insulation board is visible on the outside of the bag. Insulation board was obtained from Dryvit or its authorized distributors and made exclusively by manufacturers licensed by Dryvit
2. One edge of each board bears the word Dryvit, the plant identification number of the block molder, the appropriate model code report number, and the name of the third party quality control agency with corresponding number. In addition, one board in each bag bears the same marking on the face.
3. The insulation board meets the following tolerances:

- a. Length: Plus or minus 1/16 in (1.6 mm).
- b. Width: Plus or minus 1/16 in (1.6 mm).
- c. Thickness: Plus or minus 1/16 in (1.6 mm) for boards 2 in (51 mm) and greater.
- d. Squareness: Shall not deviate from square by more than 1/32 in (0.8 mm) in 12 in (305 mm) of total length and width.
- e. Edge trueness: Shall not deviate more than 1/32 in (0.8 mm) in 12 in (305 mm).
- f. Face flatness: Shall not exhibit any bowing of more than 1/32 in (0.8 mm) in 12 in (305 mm).

WARNING: Any Insulation Board not meeting the above requirements should be rejected and not installed.

- ii. The Insulation Board measures a maximum of 2 ft (610 mm) by 4 ft (1219 mm) with a minimum thickness of 2 in (51 mm).
- iii. The back side of the Insulation Board has vertical grooves and bevels as shown in the Dryvit Outsulation PE System Installation Details, [DS846](#).
- iv. The surface of the Backstop NTX is uniform in thickness, continuous, clean, dry and free of efflorescence and other foreign materials that will affect adhesion of the insulation board.

b. Dryvit Adhesive Application

- i. Mix the Dryvit adhesive in accordance with Section III.C.

1. Cementitious Adhesive

a. Notched Trowel Method

- i. With a notched trowel, 3/8 in (9.5 mm) wide, 1/2 in (12.7 mm) deep notches spaced 1 1/2 in (38 mm) apart, apply the adhesive mixture to the back side of the insulation board. Holding the trowel at a 45° angle, apply firm pressure to the insulation board in order to scrape the excess adhesive from between the adhesive beads. NOTE: Apply the adhesive so that the ribbons run vertically when the insulation board is placed on the wall. Notched trowel is not to be used when adhering Closure Blocks.

c. Insulation Board Installation

- i. When using Backstop DMS, refer to [DS704](#).
- ii. Apply the adhesive to the back side of the insulation board as described in Section IX.B.1.a.1)a).
- iii. Beginning at the base of the wall (above the Dryvit Starter Strip), install the Insulation Boards with their long edges oriented horizontally. Locate the insulation boards so that joints are offset from the sheathing board joints a minimum of 8 in (203 mm) in both vertical and horizontal directions.
- iv. Position the Insulation Board horizontally on the substrate. Press the board gently to the substrate and slide it into position. Apply firm pressure over the entire surface of the insulation board to ensure uniform contact and high initial grab.
- v. Using a margin trowel, clean the Insulation Board edges of any adhesive mixture. Ensure that the Insulation Board joints are butted tightly and faces are level and flush. CAUTION: Do not allow adhesive to remain in board joints.
- vi. Install subsequent rows of insulation board in a running bond pattern (vertical joints staggered) as shown in Figure 28.

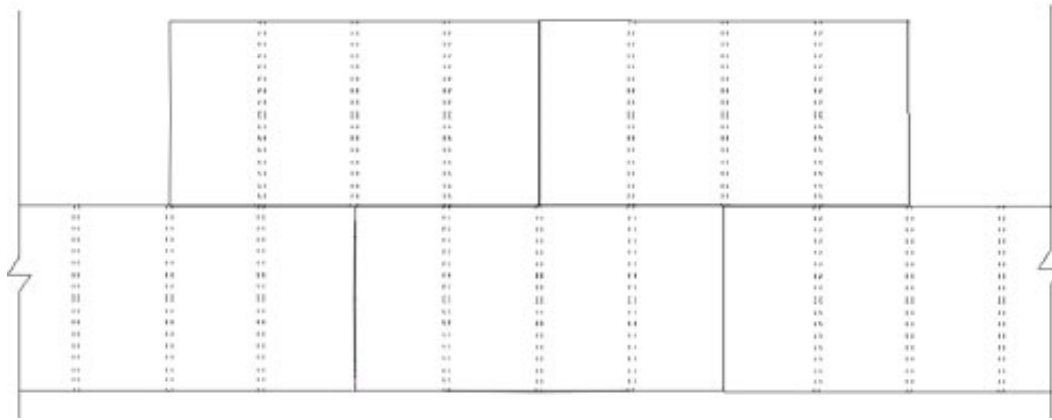


Fig. 28

- vii. To ensure an overall flat surface, tamp the insulation board surface with a board that overlaps two to four rows of insulation.
- viii. Tops of walls, sills of continuous windows and other horizontal system terminations are terminated using 6 in or 12 in x 48 in (152 mm or 305 mm x 1.2 m) Closure Blocks. These are adhered to Backstop NTX using a ribbon and dab adhesive pattern as shown in the Figure 29.

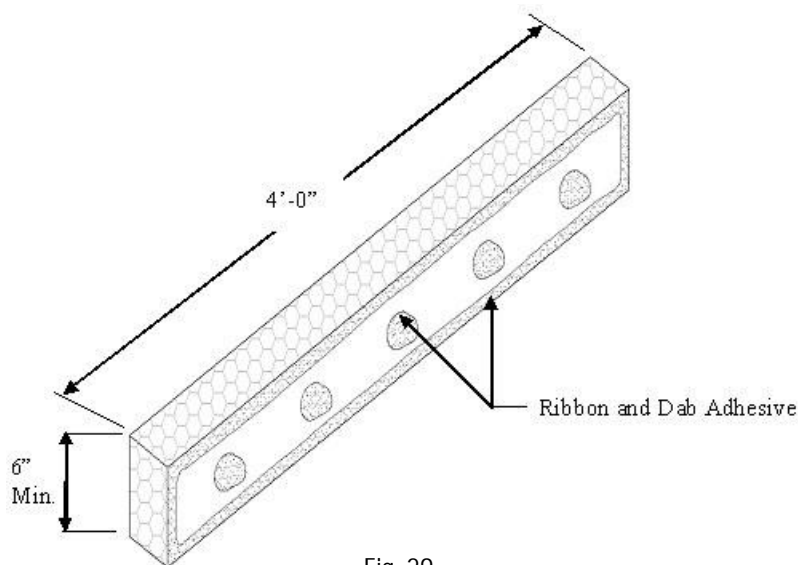


Fig. 29

- ix. If for any reason the Insulation Board joints are not butted tightly, slivers of insulation board must be installed to fill any gaps. ALL GAPS GREATER THAN 1/16 in (1.6 mm) MUST BE SLIVERED. Tip: In order to create a tight fit, it is recommended that a wider joint be cut with a hot groover or similar tool to allow for a more precise fitting sliver. Do not install adhesive on sliver edges.
- x. Windows, Doors, Mechanical Equipment and all Wall Penetrations
  - 1. At penetrations, align the Closure Blocks so that the edges (vertical and horizontal joints) do not coincide with the corners of the opening as illustrated in Figure 30.

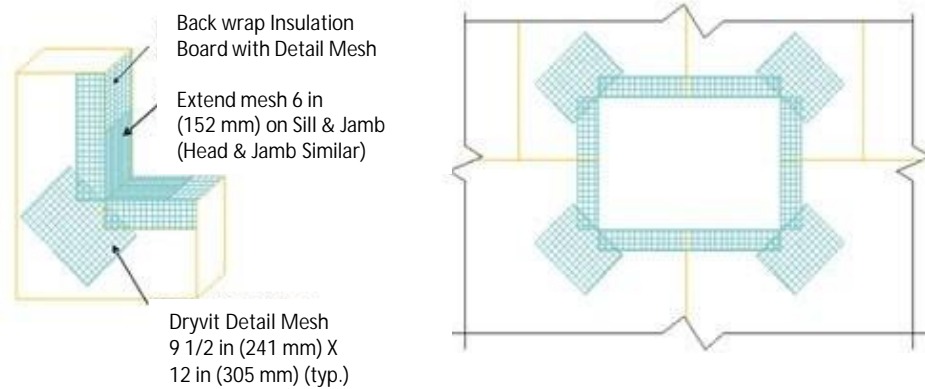


Fig. 30

2. Attach Detail Mesh around the perimeter of the opening as described in Section VIII.E.2 and 3.
  3. Hold the insulation board back from the window/door frame or mechanical equipment to allow for differential movement, proper system edge preparation, and sealant installation as shown in the Dryvit Outsulation PE System Installation Details, [DS846](#).
- xi. Expansion Joints
1. Attach Detail Mesh on each side of the expansion joint by stapling or applying a ribbon of adhesive mixture on the substrate and embedding the Detail Mesh into the wet mixture.
  2. Position the Detail Mesh so that a minimum of 2 1/2 in (64 mm) will extend onto the face of the insulation board. Keep the mesh, which is not embedded, clean.
  3. When abutting dissimilar materials, leave a minimum 3/4 in (19 mm) separation between the insulation board and abutting material to allow for differential movement, proper system edge preparation and sealant installation.
  4. When the Outsulation PE System is installed at a substrate transition, leave a minimum 3/4 in (19 mm) separation between the insulation boards to allow for differential movement, proper system edge preparation and sealant installation.
- xii. Once the Closure Blocks and Insulation Board are in place, wait a minimum of 24 hours prior to working on the surface to prevent any movement which may weaken the bond of the adhesive mixture to the substrate.  
NOTE: Be sure to protect the installed insulation board from rain, freezing or inclement weather for a period of 24 hours.
- xiii. Any irregularities in the insulation board surface must be sanded flat. Sanding is accomplished with a light circular motion. The entire wall area must be sanded. Use grade 20 grit sandpaper or coarser, in conjunction with hand, electric or air rasps. NOTE: Do not sand parallel to the insulation board joints. CAUTION: The contractor shall take precautions to contain EPS dust from rasping operation in accordance with contract documents. Use of vacuum rasps are recommended to minimize introduction of EPS dust into the environment.
- xiv. Remove all loose pieces of insulation board and dust from the sanding operation using a brush, or compressed air. Use OSHA required masks to protect against inhaling EPS dust.
- xv. All Detail Mesh that was previously installed for back wrapping the insulation board shall be embedded in the Dryvit Base Coat material mixture at this time.
1. With a stainless steel trowel, apply the Dryvit Base Coat material mixture to the face (and edge if not previously coated) of the insulation board and embed the Detail Mesh in the wet mixture.
- xvi. Aesthetic Reveals  
NOTE: Insulation board thickness may need to be increased to accommodate reveals and maintain minimum 2 in (19 mm) thickness of EPS at all locations.
1. To install an aesthetic reveal, snap a straight line using a chalk line to mark the position.
  2. Position a straight edge such as a steel stud or track against the insulation board in the proper location to guide the appropriate cutting tool (router, hot knife, or hot groover).

3. Use Detail Mesh to ensure continuity of reinforcing mesh through aesthetic reveals continuing a minimum of 2 1/2 in (64 mm) on each side of the reveal.
  - a. Apply the Dryvit Base Coat material mixture in the reveal and on the adjacent insulation board surfaces.
  - b. Embed the Detail Mesh into the Dryvit Base Coat mixture on one side of the reveal only.
  - c. Use a sled or special tool configured to the profile of the reveal. Embed the Detail Mesh into the Dryvit Base Coat mixture through the reveal being careful not to cut the mesh.
  - d. Embed the Detail Mesh into the Dryvit Base Coat mixture on the other side of the reveal. Ensure that the mesh is fully embedded and that all excess material is removed from the reveal.
  - e. Using a damp brush, smooth out any irregularities in the Dryvit Base Coat.

CAUTION: If the mesh is cut in the reveal, a new piece of mesh must be installed over the cut.
- xvii. Where Corner Mesh is specified for additional impact resistance at outside corners, the Corner Mesh shall be embedded in the Dryvit Base Coat mixture and allowed to set prior to installing the overall reinforced base coat over the face of the wall.
- xviii. Corners of all openings such as windows, doors, mechanical equipment and all penetrations shall be reinforced with Detail Mesh placed diagonally to the opening as illustrated in Figure 30 previously.

---

## 10. INSTALLATION OF REINFORCING MESH AND BASE COAT

- a. General
  - i. Do not apply the Dryvit materials in the rain. The insulation board must be dry prior to applying the base coat material.
  - ii. Prior to installing the reinforced base coat, inspect the surface of the insulation board for:
    1. Flatness: Use a minimum 8 ft (2.4 m) straight edge. Sand any high areas and out-of-plane board joints flat, as described in Section IX.C.12 and 13. CAUTION: Do not build up low areas with Dryvit Base Coat mixture to form a flat surface.
    2. Damage and foreign materials: correct deficiencies as necessary.
    3. Surface degradation due to weathering or UV, visible as discoloration. Sand affected areas to remove deterioration while maintaining the flatness of the surface.
- b. Mix the Genesis base coat material as described in Section III.D.
- c. Prior to installing the reinforcing mesh, it should be inspected to ensure that it has been furnished by Dryvit
  - i. Dryvit reinforcing mesh is available in the following widths and lengths:
    - a. Standard - 48 in x 150 ft (1.2 m x 45.7 m); 72 in x 150 ft (1.8 m x 45.7 m)
    - b. Standard Plus, and Intermediate - 48 in x 150 ft (1.2 m x 45.7 m)
    - c. Panzer 15 - 48 in x 75 ft (1.2 m x 22.9 m)
    - d. Panzer 20 - 48 in x 75 ft (1.2 m x 22.9 m)
    - e. Corner - 9 1/4 in x 150 ft (235 mm x 45.7 m)
    - f. Detail - 9 1/2 in x 150 ft (241 mm x 45.7 m)
  - ii. It shall be colored blue for product identification bearing the Dryvit logo
- d. Installation of Dryflex base coat in high exposure areas such as sloped surfaces, window sills, etc.
  - i. Using a stainless steel trowel, apply the Dryflex mixture on the surface of the insulation board in a uniform thickness of approximately 3/32 in (2.4 mm). Apply the Dryflex continuously over the sloped surface and continue minimum 6 in (152 mm) onto the vertical areas.
  - ii. Immediately place the reinforcing mesh against the wet Dryflex mixture. With the curve of the mesh against the wall, trowel from the center to the edges, avoiding wrinkles, until the mesh is fully covered and not visible. The overall minimum base coat thickness shall be sufficient to fully embed the reinforcing mesh. The recommended method is to apply the base coat in two (2) passes. NOTE: The reinforcing mesh can be continued across the transition from Dryflex base coat to standard base coat.
  - iii. Allow the Dryflex to cure a minimum of 24 hours or until dry

e. Base Coat Application

i. Standard Base Coat (single layer of Standard, Standard Plus or Intermediate Reinforcing Mesh)

1. The Base Coat shall be applied such that the resulting overall minimum base coat thickness is sufficient to fully embed the reinforcing mesh. The recommended method is to apply the base coat in two (2) passes.
2. Double pass method (recommended)
  - a. Using a stainless steel trowel, apply the Dryvit Base Coat mixture on the entire surface of the insulation board to an area slightly larger than the width and length of a piece of reinforcing mesh, in a uniform thickness of 1/16 in (1.6 mm). NOTE: The Dryvit Reinforcing Mesh may be installed either vertically or horizontally.
  - b. Immediately place the Dryvit Reinforcing Mesh against the wet Dryvit Base Coat mixture. With the curve of the Dryvit Reinforcing Mesh against the wall, trowel from the center to the edges avoiding wrinkles, until the reinforcing mesh is fully embedded and not visible. Trowel smooth to a uniform thickness slightly more than the thickness of the reinforcing mesh. NOTE: The Dryvit Reinforcing Mesh shall be continuous at corners and mesh edges lapped not less than 2 1/2 in (64 mm). Do not lap the Dryvit Reinforcing Mesh within 8 in (203 mm) of a corner. Tip: Corners and edges normally require light strokes with a small damp brush to smooth out irregularities.
  - c. Allow the Dryvit Base Coat mixture to take up until firm to the touch. Trowel a second tight coat of the Dryvit Base Coat mixture over the first coat to fully cover the Dryvit Reinforcing Mesh - Figure 31. The result should be such that the Dryvit Reinforcing Mesh is approximately centered within the Dryvit Base Coat thickness. Do not allow the first pass to completely dry prior to the second pass application or an excessive amount of the Dryvit Base Coat mixture will be necessary to fully coat the wall surface.

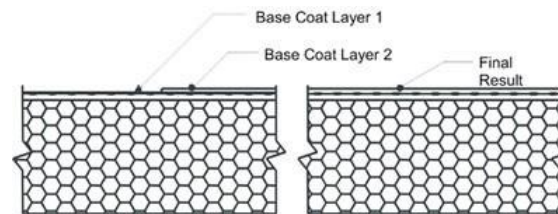


Fig. 31

3. Single pass method (optional)

- a. Using a stainless steel trowel, apply the Dryvit Base Coat mixture on the entire surface of the Insulation board to an area slightly larger than the width and length of a piece of Dryvit Reinforcing Mesh, in a uniform thickness of 1/16 in (1.6 mm). NOTE: The Dryvit Reinforcing Mesh may be installed either vertically or horizontally.
- b. Immediately place the Dryvit Reinforcing Mesh against the wet Dryvit Base Coat mixture. With the curve of the Dryvit Reinforcing Mesh against the wall, trowel from the center to the edges avoiding wrinkles, until the reinforcing mesh is fully embedded and not visible. Trowel smooth to a uniform thickness slightly more than the thickness of the reinforcing mesh. NOTE: The Dryvit Reinforcing Mesh shall be continuous at corners and mesh edges lapped not less than 2 1/2 in (64 mm). Do not lap the Dryvit Reinforcing Mesh within 8 in (203 mm) of a corner. Tip: Corners and edges normally require light strokes with a small damp brush to smooth out irregularities.

4. Protect completed work from water penetration and runoff.

5. Allow the Dryvit Base Coat to cure a minimum of 24 hours before proceeding with application of finish coat. Cool, damp conditions may require longer drying times. Do not apply finish to a wet or damp Base Coat.

ii. Panzer Mesh Base Coat (Panzer 15 or Panzer 20 used in conjunction with Standard or Standard Plus Reinforcing Mesh). Panzer Mesh is recommended for use at all ground floor locations and at high traffic areas. Refer to contract documents.

1. Using a stainless steel trowel, apply the Base Coat mixture on the entire surface of the Insulation Board to an area slightly larger than the width and length of a piece of Panzer Mesh, in a uniform thickness of approximately 1/8 in (3.2 mm).
2. Immediately place the Panzer Mesh against the wet Base Coat mixture. With the curve of the Panzer Mesh against the wall, trowel from the center to the edges avoiding wrinkles until the Panzer Mesh is fully covered and not visible.
3. Continue in the same manner until the entire area requiring Panzer Mesh is covered.  
CAUTION: Do not lap the Panzer Mesh. Adjacent pieces are to be tightly butted.
4. Protect completed work from water penetration and runoff.
5. Allow the Panzer base coat to cure a minimum of 24 hours prior to applying Dryvit's Standard or Standard Plus Reinforcing Mesh.
6. Apply the Dryvit Reinforcing Mesh in accordance with Section X.E.1.c. Offset the edges of the Standard or Standard Plus Reinforcing Mesh from the edges of the Panzer Mesh a minimum of 8 in (203 mm). Tip: If Panzer Mesh is installed horizontally, we recommend the Standard or Standard Plus Reinforcing Mesh be installed vertically and vice versa.

---

## 11. SEALANT JOINT PREPARATION

- a. All Base Coat surfaces which will be in contact with sealant must be coated with either Color Prime or Demandit.
  - i. Mix Color Prime or Demandit in accordance with Section III.E and H, respectively.
  - ii. 2. Using a small brush, apply Color Prime or Demandit to the Base Coat surface that is to be in contact with the sealant and extending to the joint edge.
  - iii. 3. Allow the Color Prime or Demandit to dry a minimum of 48 hours prior to applying the sealant. Cool damp weather may require longer drying times.
  - iv. 4. Refer to sealant manufacturer's installation instructions for the proper application of the sealant.

---

## 12. DRYVIT PRIMERS

- a. Prior to applying the Dryvit primers, the Base Coat shall have cured a minimum of 24 hours and shall be dry and hard. Cure time may be longer depending on environmental conditions.  
NOTE: Refer to Product Data Sheets when applying over other materials.
- b. Inspect the Base Coat for any irregularities such as trowel marks, board lines, rough corners and edges, improper reinforcing mesh embedment as well as efflorescence.  
NOTE: Correct all irregularities and remove all efflorescence prior to applying the Dryvit primer.
- c. Mix Dryvit Primers to a smooth homogeneous consistency in accordance with Section III.E.
- d. Color Prime and Weatherprime
  - i. Apply with a brush, roller, or airless spray equipment. Refer to Color Prime or Weatherprime data sheets, [DS410](#) or [DS436](#), respectively for complete instructions.
- e. Color Prime W
  - i. Application with airless spray equipment is recommended. Refer to Color Prime W data sheet, [DS474](#) for complete instructions.
- f. Primer with Sand
  - i. Application with a roller is recommended. Refer to Primer with Sand data sheet, [DS477](#) for complete instructions.

---

## 13. DRYVIT FINISH

- a. Prior to applying the Dryvit finish, the Dryvit Base Coat shall have cured a minimum of 24 hours and shall be dry and hard. Cure time may be longer depending on environmental conditions.
- b. Inspect the Base Coat for any irregularities such as trowel marks, board lines, rough corners and edges, improper reinforcing mesh embedment as well as efflorescence. NOTE: Correct all irregularities and remove all efflorescence prior to applying the Dryvit finish.
- c. General
  - i. Important: All Dryvit finishes must be installed continuously to a natural break such as corners, expansion joints, or tapeline. Mechanics must maintain a wet edge. Whenever possible, order enough material in a single batch to complete the project to avoid potential color variations from batch to batch. Sufficient personnel and scaffolding must be provided to continuously finish a distinct wall area or otherwise cold joints will result. Scaffolding must be spaced a minimum of 18 in (458 mm) from the wall to prevent staging lines. On hot windy days, the wall may be fogged with clean potable water to cool the wall and facilitate finish installation. As with other plaster materials, installation work should precede the sun. For example, work the shady or cool side of the building. If this is not possible, scaffold should be shaded with a tarp or nursery shade cloth. Do not introduce water to the finish material once it is installed on the wall. This will cause color variations. Each mechanic must use the same tool and hand motion and match the texture of the mechanics above, below and on each side. Use finish from a single batch number whenever possible.
  - ii. Do not apply Dryvit materials in the rain. The Dryvit Base Coat must be dry prior to applying the Dryvit finish or coatings.
  - iii. Do not apply textured Dryvit finish material in sealant joints. Refer to Section XI for proper sealant joint preparation.
- d. Application
  - i. Mix the Dryvit finishes as described in Section III.
  - ii. Quarzputz, Quarzputz E, Sandblast, Weatherlastic Quarzputz
    1. Using a clean stainless steel trowel, apply a coat of the Dryvit finish in a uniform thickness on the dry base coat. NOTE: The Dryvit Quarzputz finish shall be applied and leveled to a uniform thickness no greater than the largest aggregate. The Sandblast finish is applied and leveled to a thickness of approximately 1 1/2 times the largest aggregate.
    2. The texture is achieved by uniform hand motion and/or tool that produces the texture to match the approved sample. Each mechanic must use the same tool and hand motion to ensure that the texture achieved is uniform over the entire wall area.
  - iii. Sandpebble, Sandpebble E, Sandpebble Fine, Sandpebble Fine E, Weatherlastic Sandpebble, Weatherlastic Sandpebble Fine
    1. Using a clean, stainless steel trowel, apply an even coat of the finish to a thickness slightly thicker than the largest aggregate size.
    2. Pull across using a horizontal trowel motion to develop a uniform thickness no greater than the largest aggregate of the material.
    3. The texture is achieved by a uniform hand floating motion with a clean stainless-steel trowel; wipe the trowel and wet it lightly. Apply light pressure in a circular motion.
  - iv. Freestyle
    1. Using a clean, stainless steel trowel, apply the Freestyle finish on the base coat in a thickness not greater than 1/16 in (1.6 mm). The texture is either pulled out of this base to a thickness of no greater than 1/4 in (6.4 mm) or the texture may be achieved by adding more Freestyle finish to the base coat using the same texturing motions that are used with other plaster materials, such as, a skip trowel finish.

NOTE: The maximum thickness of Freestyle finish texture shall not exceed 1/4 in (6.4 mm).



- v. Weatherlastic Adobe
  1. Using a brush, roller or airless spray equipment, apply a coat of color coordinated Color Prime (see Section III.E for mixing instructions) at the recommended coverage to the cured base coat and allow to dry.
  2. Mix the Weatherlastic Adobe finish material as described in Section III.F.
  3. Using a stainless steel trowel, apply a coat of Weatherlastic Adobe approximately 1.6 mm (1/16 in) to the wall surface. Allow the Weatherlastic Adobe finish to take-up.
  4. Using a stainless steel trowel, apply a second coat of Weatherlastic Adobe to obtain the desired texture.
 

Tip: An atomizing spray bottle may be used to apply a mist of water to the surface in the finishing step.
- vi. Specialty Finishes: Ameristone, [DS142](#); Stone Mist, [DS420](#); TerraNeo, [DS481](#); Limestone, [DS472](#); Custom Brick, [DS154](#); Reflectit, [DS124](#); Finesse, [DS859](#); NewBrick, [DS871](#).
  1. Mix the Specialty finishes as described in Section III.G
  2. Apply the specialty finishes in accordance with the products' Application Instructions or Data Sheets listed above.

---

## 14. COATINGS AND SEALERS

Note: Coatings and Sealers are not intended to be applied directly over base coat; they are intended to be applied over Dryvit finishes.

- a. Mix coatings and sealers to a smooth homogeneous consistency in accordance with Section III.H.1.
- b. Demandit Smooth and Weathercoat
  - i. Apply with a brush, roller, or airless spray equipment.
  - ii. When applying with a roller, a maximum 3/4 in (19 mm) nap, polyester or polyester blend with nylon or lambswool, with beveled ends and a phenolic core is recommended. An 18 in (458 mm) wide roller frame with a 2 1/4 in (57 mm) inside diameter is also recommended.
  - iii. Apply in one continuous coat, maintaining a wet edge as the application proceeds to a natural break. The roller cover must be kept fully loaded as the application proceeds.  
CAUTION: Do not stretch out the application by rolling with a dry roller. The last leveling roller strokes should always be in the same direction. Do not cut in around openings prior to overall application, but rather, do the cut-in work as the application proceeds.
  - iv. Do not allow Demandit Smooth or Weathercoat to dry on roller covers. Roller covers with dried coating do not apply the coating evenly.
  - v. Changing color requires the application of two coats.
- c. Demandit Sanded
  - i. Apply the Demandit Sanded with a brush or 1/2 in - 5/8 in (12.7 mm – 15.9 mm) nap roller.
  - ii. Roll or brush in multiple directions and then lightly finish in one direction to ensure that no lap marks remain.
  - iii. A second coat may be required for heavy textured surfaces or when there is a contrast of colors. Apply the second coat as described in paragraph XIII.B.2 and 3 above. CAUTION: Do not attempt to apply Demandit Sanded in one heavy coat. Two coats are recommended. Apply the second coat only after the first coat is completely dry. Important: Texture changes will exist after Demandit Sanded is applied over existing Dryvit finishes. The degree of change is a function of the thickness and the number of coats of Demandit Sanded.

d. Weatherlastic Smooth

- i. Mix the Weatherlastic Smooth to a smooth, homogeneous consistency in accordance with Section III.H.1.
- ii. Apply a minimum 11 mils dry film thickness (22 mils wet film thickness). This is achieved by applying the Weatherlastic Smooth in two (2) 11 mil wet coats. Under average drying conditions, 70 °F (21 °C), 50% RH, two (2) hours drying time between coats should be adequate.
- iii. For cutting-in and trim, a nylon bristle brush is recommended.
- iv. Roller Application
  1. A minimum 10 in (254 mm) roller cover with a 1 1/4 in - 1 1/2 in (32 mm - 38 mm) nap is recommended.
  2. Completely saturate the roller cover and keep the roller loaded with coating to avoid foaming. Do not dry-roll or over-roll as this will cause excessive entrapment of air within the coating.
  3. A second coat is applied in a similar manner after the first coat has adequately dried.
- v. Spray Application
  1. Application by airless spray equipment or mastic pump and gun allows application of coating at total required application rate with a minimum of stipple or thickness variations.
  2. Equipment should have the capacity to pump 2 gal (7.6 L) of coating per minute.
  3. Material hose should be minimum 1/2 in (12.7 mm) inside diameter for spraying coating through more than a 50 ft (15 m) length. Minimum bursting of 800 lbs (3600 N) is recommended. Tip: Orifice sizes of 0.021 in - 0.032 in (0.53 mm - 0.81 mm) will be required depending on equipment used.
  4. Cross apply coating holding spray gun perpendicular to, and approximately 3 ft (1 m) from the wall surface. Avoid excessive material build-up by holding spray gun away from the wall when pulling the trigger, then bringing gun across area to be coated. Maintain a wet edge and avoid starting and stopping in the middle of the wall. Do not attempt to overreach spray pattern as this may result in appearance of irregular spray pattern. Place scaffolding and equipment to facilitate quick application without numerous interruptions.
  5. A 10 % loss from overspray should be anticipated.
  6. Backrolling sprayed areas is recommended to control pinholing on spray applications over porous surfaces.

e. Tuscan Glaze

- i. Mix Tuscan Glaze to a smooth homogenous consistency in accordance with Section III.H.2. Continuously agitate throughout application to ensure color consistency.
- ii. Tuscan Glaze is best applied on large areas using a Hudson-type sprayer or airless spray equipment. For smaller areas, Tuscan Glaze is best applied with a paint pad or, depending on the desired results, a roller, paint brush or sponge. Job site mock-ups are required and should represent the actual job site application techniques.
- iii. Apply Tuscan Glaze evenly in light strokes. If sagging or running occurs, use a sponge or paint pad to correct immediately. Watch for brush or roller lines. If brush or roller lines appear, use a damp sponge, a paint pad or rag to make them disappear before the Tuscan Glaze starts to dry. The wall may be blotted with a camelback sponge to achieve the desired mottled appearance. Check walls throughout the application to insure that uniformity and the desired appearance is achieved.

f. SealClear

- i. Mix SealClear to a smooth, homogeneous consistency in accordance with Section III.H.3.
- ii. For application instructions, refer to the SealClear Data Sheet, [DS426](#).

---

## 15. MAINTENANCE AND REPAIR

- a. Refer to DryvitCARE EIFS Repair Procedures, [DS498](#).

Information contained in this product sheet conforms to the standard detail recommendations and specifications for the installation of Dryvit products as of the date of publication of this document and is presented in good faith. Dryvit assumes no liability, expressed or implied, as to the architecture, engineering or workmanship of any project. To ensure that you are using the latest, most complete information, contact Dryvit.

For more information on Dryvit or Continuous Insulation, [click here](#).

Printed in USA. Issued 1.7.2022  
©Dryvit. 2022

0122/DS845

Tremco Construction Products Group (CPG) brings together the Commercial Sealants & Waterproofing and Roofing & Building Maintenance divisions of Tremco CPG Inc.; Dryvit and Willseal brands; Nudura Inc.; Prebuck LLC; Tremco Barrier Solutions, Inc.; Weatherproofing Technologies, Inc.; Weatherproofing Technologies Canada, Inc.; and Pure Air Control Services, Inc.



[dryvit.com](http://dryvit.com) | 800.556.7752



Construction Products Group

3735 Green Rd. | Beachwood, OH 44122  
800.321.7906 | [tremcocpg.com](http://tremcocpg.com)