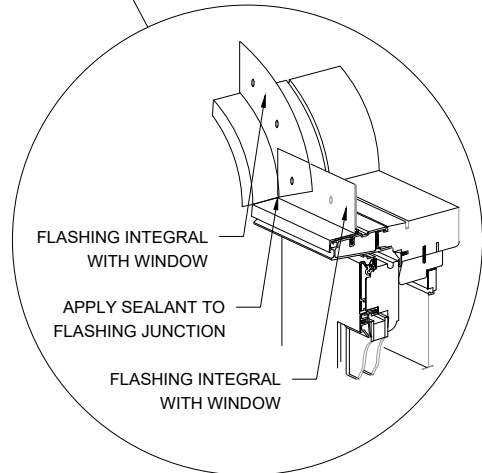
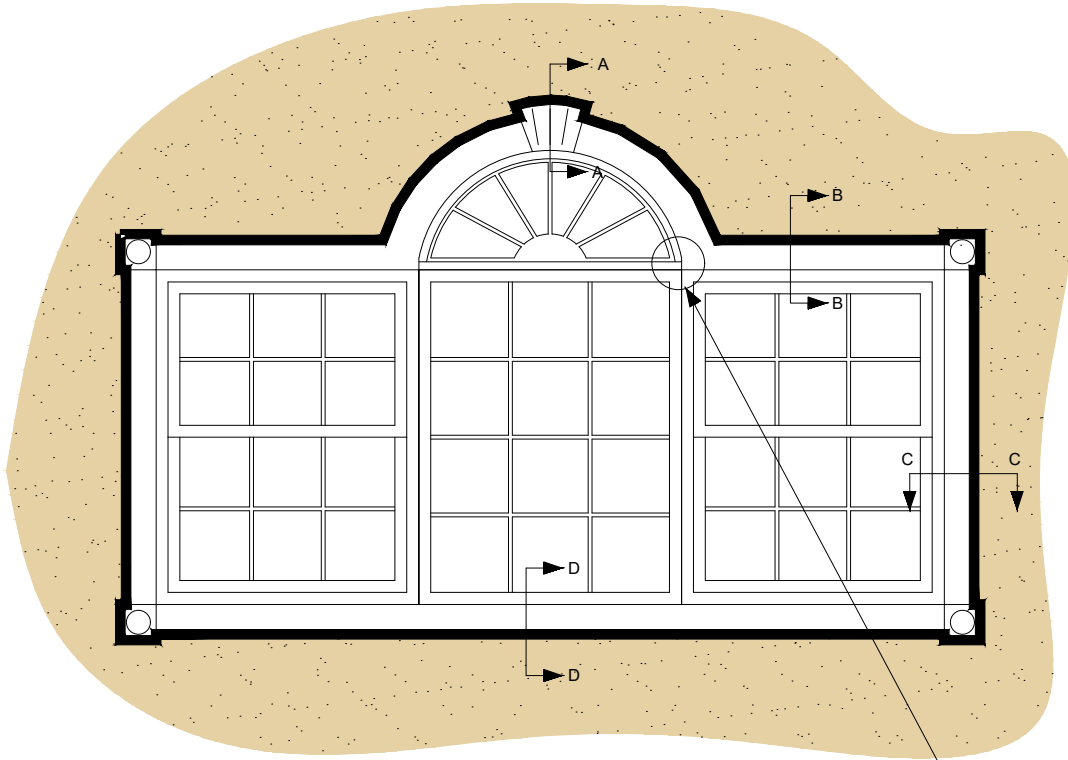


- SECTION A-A: REFER TO ORMD 16 AND ORMD 17. WEEPS IN SEALANT JOINT ARE OPTIONAL AT ARCHED WINDOW HEAD LOCATION.
- SECTION B-B: REFER TO ORMD 16 AND ORMD 17.
- SECTION C-C: REFER TO ORMD 19 AND ORMD 20.
- SECTION D-D: REFER TO ORMD 19 AND ORMD 20.



NOTE:
 1. FLASHING TRANSITION BETWEEN CURVED AND HORIZONTAL ASSEMBLIES MUST BE PROPERLY LAPPED AND SEALED TO SHED WATER TO THE EXTERIOR.

The architecture, engineering, and design of the project using the Dryvit and Tremco products are the responsibility of the project's design professional. All products and systems must comply with local building codes and standards. This detail is for general information and guidance only and Dryvit and Tremco specifically disclaims any liability for the use of this detail. The project design professional determines, in its sole discretion, whether this detail or a functionally equivalent detail is best suited for the project. This detail is subject to change without notice. Contact Dryvit and Tremco to ensure you have the most recent version.

Outsulation® RMD System™

 Dryvit Technical Support: 800-556-7752	Detail: Window Elevation				File Name:		 Construction Products Group
	Drawn by: HDE	Checked by: CS	Scale: NTS	Date: 5/19/2023	O-RMD 15		
www.tremcocpg.com							