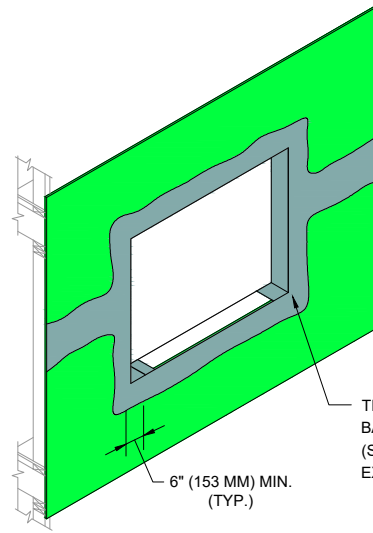


APPLY DRYVIT GRID TAPE™
(SEE NOTES 1, 2) OR TREMCO
EXOAIR 230 WITH TREMCO 2011 MESH

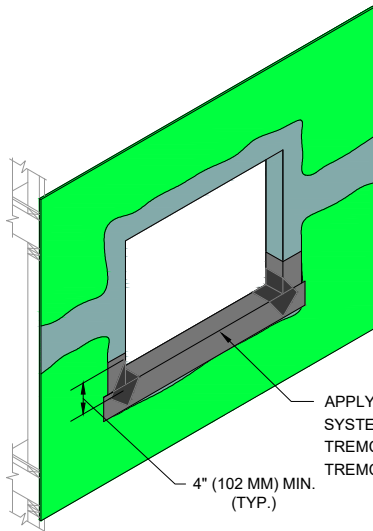
STEP #1



TROWEL APPLY DRYVIT
BACKSTOP NTX-TEXTURE
(SEE NOTE 2) OR TREMCO
EXOAIR 230

6" (153 MM) MIN.
(TYP.)

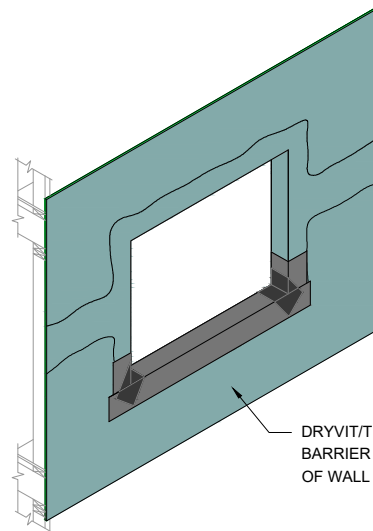
STEP #2



APPLY DRYVIT AQUAFASH®
SYSTEM (SEE NOTES 2, 3, 5) OR
TREMCO EXOAIR 230 WITH
TREMCO 2011 MESH

4" (102 MM) MIN.
(TYP.)

STEP #3



DRYVIT/TREMCO AIR/WATER-RESISTIVE
BARRIER COATING APPLIED TO FACE
OF WALL (SEE NOTE 5)

STEP #4

NOTE:

1. APPLY DRYVIT GRID TAPE OR TREMCO EXOAIR 230 WITH TREMCO 2011 MESH ON HEAD, JAMB, AND CORNERS OF OPENINGS AND SHEATHING JOINTS.
2. TROWEL APPLY DRYVIT BACKSTOP NTX-TEXTURE OVER THE DRYVIT GRID TAPE OR TREMCO EXOAIR 230 WITH TREMCO 2011 MESH ALL THE WAY TO INSIDE FACE OF OPENING. ALL VOIDS MUST BE FILLED; MULTIPLE PASSES MAY BE REQUIRED. AS AN OPTION, DRYVIT GRID TAPE AND DRYVIT BACKSTOP NTX-TEXTURE MAY ALSO BE APPLIED AT THE SILL PRIOR TO DRYVIT AQUAFASH SYSTEM OR TREMCO EXOAIR 110AT APPLICATION.
3. TREMCO EXOAIR 110AT MAY BE USED IN LIEU OF DRYVIT AQUAFASH SYSTEM AT SILL, INCLUDING CORNER SPLICES. TREAT SURFACE WITH TREMCO DYMONIC 100 AT 40 MILS OVER EXOAIR 110AT AT FACE OF WALL WHERE IN CONTACT WITH ADHESIVE.
4. INSTALL WINDOW UNIT AND ASSOCIATED FLASHINGS PER MANUFACTURER'S RECOMMENDATIONS, CODE REQUIREMENTS AND PROJECT DOCUMENTS.
5. REFER TO HEAD, SILL, AND JAMB DETAILS FOR FLASHING INTEGRATION.
6. FOR ADDITIONAL AIR/WATER-RESISTIVE BARRIER DETAILS, REFER TO DRYVIT PUBLICATION DS840.
7. REFER TO PRODUCT DATA SHEETS FOR SPECIFIC APPLICATION METHODS.

The architecture, engineering, and design of the project using the Dryvit and Tremco products are the responsibility of the project's design professional. All products and systems must comply with local building codes and standards. This detail is for general information and guidance only and Dryvit and Tremco specifically disclaims any liability for the use of this detail. The project design professional determines, in its sole discretion, whether this detail or a functionally equivalent detail is best suited for the project. This detail is subject to change without notice. Contact Dryvit and Tremco to ensure you have the most recent version.

Outsulation® RMD System™



Dryvit Technical Support: 800-556-7752

Detail: Opening Preparation - System 4 Backstop® NTX™ or Tremco ExoAir 230 Option

Drawn by: HDE

Checked by: CS

Scale: NTS

Date: 5/19/2023

File Name:

O-RMD 9



Construction Products Group

www.tremcocpg.com