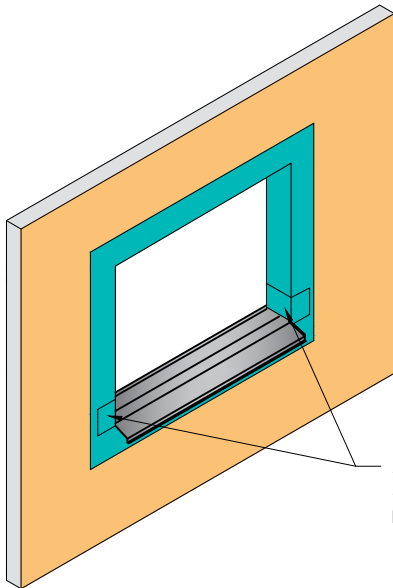


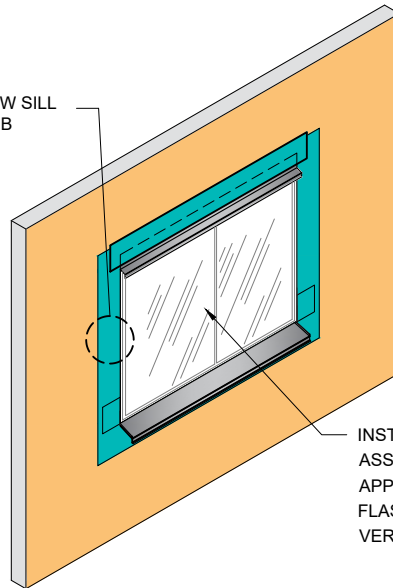
REFER TO ROUGH OPENING PREPARATION DETAIL FOR PREPARATION OF OPENING PRIOR TO FLASHING INSTALLATION

STEP #1



APPLY TREMCO DYMONIC® 100 AT 40 MILS LAPPING OVER LIP OF SILL PAN FLASHING.

STEP #2



REFER TO WINDOW SILL DETAILS FOR JAMB DETAIL

INSTALL WINDOW UNIT AND ASSOCIATED FLASHINGS AND APPLY TREMCO DYMONIC® 100 FLASHING SYSTEM OVER VERTICAL LEG OF FLASHING

STEP #3



Dryvit Technical Support: 800-556-7752

The architecture, engineering, and design of the project using the Tremco CPG Inc. and USG products are the responsibility of the project's design professional. All products and systems must comply with local building codes and standards. This detail is for general information and guidance only and Tremco CPG Inc. and USG specifically disclaims any liability for the use of this detail. The project design professional determines, in its sole discretion, whether this detail or a functionally equivalent detail is best suited for the project. This detail is subject to change without notice. Contact Tremco CPG Inc. to ensure you have the most recent version.

StucCoat One Coat® Securock® ExoAir 430 System



SECUROCK® EXOAIR® 430

Technical Support: 866-209-2404

Detail: Opening Flashing Integration - Tremco Dymonic 100 Option

Drawn by: KAB

Checked by: BD/CB

Scale: NTS

Date: 4/2023

File Name:

SCOC CI SE430 4



Construction Products Group

www.tremcocpg.com