



LISTING INFORMATION OF  
**Dryvit - Category 1 OUTSULATION EIFS Wall Systems**

SPEC ID: 29311

Dryvit Systems Canada  
129 Ringwood Drive  
Stouffville, ON L4A 8C1  
Canada

This report is for the exclusive use of Intertek's Client and is provided pursuant to the agreement between Intertek and its Client. Intertek's responsibility and liability are limited to the terms and conditions of the agreement. Intertek assumes no liability to any party, other than to the Client in accordance with the agreement, for any loss, expense or damage occasioned by the use of this report. Only the Client is authorized to permit copying or distribution of this report and then only in its entirety. Any use of the Intertek name or one of its marks for the sale or advertisement of the tested material, product or service must first be approved in writing by Intertek. The observations and test results in this report are relevant only to the sample tested. This report by itself does not imply that the material, product, or service is or has ever been under an Intertek certification program.

DRYVIT OUTSULATION® WALL SYSTEM  
 DRYVIT OUTSULATION® PLUS WALL SYSTEM  
 DRYVIT OUTSULATION® MD WALL SYSTEM  
 DRYVIT OUTSULATION® PD WALL SYSTEM

Dryvit OUTSULATION® Wall Systems are Exterior Insulation and Finish Systems (EIFS) consisting of an adhesive, expanded polystyrene insulation board, base coat, reinforcing mesh and a finish coat. The systems can also be mechanically attached through the expanded polystyrene insulation board into approved substrates. Refer to Design Listings DSC-WDEIFS 25-01, DSC-WDEIFS 25-02 and DSC-WDEIFS 25-03 for detailed specifications on each system.

**RATINGS**

Standard	Rating	Design Number
CAN/ULC S134	Flame Spread: < 5.0 m Heat Flux at 3.5 m: < 35 kW/m <sup>2</sup>	DSC-WDEIFS 25-01, DSC-WDEIFS 25-02 and DSC-WDEIFS 25-03

Attribute	Value
Criteria	CAN / ULC S134 (1992)
Criteria	CAN / ULC S134 (2013)
CSI Code	07 24 00 Exterior Insulation and Finish Systems (EIFS)
Intertek Services	Certification
Listed or Inspected	LISTED
Listing Section	WALL EXTERIOR INSULATION & FINISH SYSTEMS (EIFS)
Report Number	3008581; 3140833; 3172311; 100182049; 100742658; 102566911SAT-001
Spec ID	29311

## DRAWING INDEX

DSC-WDEIFS 25-01

DSC-WDEIFS 25-02

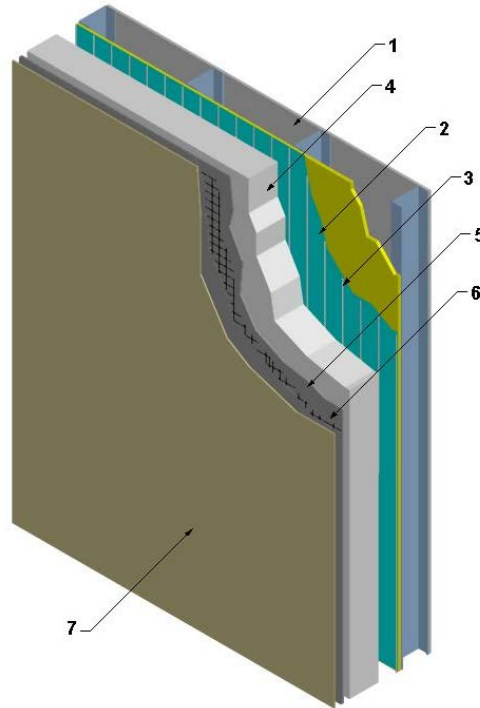
DSC-WDEIFS 25-03

# DSC-WDEIFS 25-01

Division 7 – Thermal and Moisture Protection  
 07 24 00 Exterior Insulation and Finish Systems  
 07 24 19 Water-Drainage Exterior Insulation and Finish System

Page 1 of 2

Design Number: DSC/WDEIFS 25-01  
 EXTERIOR WALL SYSTEMS  
 Dryvit Systems Canada  
 Dryvit OUTSULATION® and OUTSULATION® PLUS  
 CAN/ULC S134 (2013)  
 Meets the Requirements of Article 3.1.5.5 of the National Building Code of Canada, 2015 and 2010



1. **WALL ASSEMBLY:** Construct a wall assembly that shall comply with the local Building Code or other applicable regulatory requirements when those are greater.
2. **WATER RESISTIVE BARRIER:** Apply one of the following membrane systems to the exterior side of the wall assembly (Item 1):
  - A. Dryvit Dryflex™ – Polymer based cementitious air/moisture barrier applied at 3.2mm (1/8 in.) thickness in accordance with manufacturer's instructions or,
  - B. Dryvit Backstop NT™/NT VB – Polymer based non-cementitious air/moisture barrier applied at 2mm (0.078 in.) thickness in accordance with manufacturer's instructions.
3. **ADHESIVE:** Mix Dryvit adhesive (Item 5) and apply using a 1/2 in. x 1/2 in. stainless steel notched trowel, in accordance with manufacturer's application instructions. Adhesive ribbons shall run vertically and measure approximately 9mm (3/8 in.) when formed and will be compressed when adhered to the substrate.
4. **INSULATION BOARD:** Secure insulation board with adhesive (Item 3) using one of the following options:

Date Revised: October 18, 2017  
 Project No. G103067321



**DSC-WDEIFS 25-01 (2 of 2)****Division 7 – Thermal and Moisture Protection  
07 24 00 Exterior Insulation and Finish Systems  
07 24 19 Water-Drainage Exterior Insulation and Finish System**

Page 2 of 2

- A. 16 kg/m<sup>3</sup> (1 pcf) expanded polystyrene (EPS) board, max. 150mm (6 in.) thick, bonded with adhesive.
- B. 16 kg/m<sup>3</sup> (1 pcf) graphite-enhanced polystyrene (GPS) board, max. 150mm (6 in.) thick, bonded with adhesive and four supplemental mechanical fasteners with appropriate type and length of corrosion-resistant fasteners and PBH Washers by Demand Products, Wind-lock Wind-Devil 2 plastic washers, or approved equivalent washer, per 610 x 1220mm (24 in. x 48 in.). Fasteners must be within 200mm (8 in.) of the sides of the boards and within 100mm (4 in.) of the top and bottom. Exact location will depend upon the substrate (spacing of framing, or solid masonry).
- C. 28.8 kg/m<sup>3</sup> (1.8 pcf) extruded polystyrene (XPS) board, max. 83mm (3.3 in.) thick, bonded with adhesive. The board face receiving adhesive must be sanded.
- Insulation boards must be manufactured under a quality assurance program and conform to CAN/ULC S701 Type 1 for EPS and GPS, and Type 4 for XPS, with a flame spread rating less than 500 per CAN/ULC S102.2. All outside edges are to be chamfered.
5. **BASE COAT:** Apply one of the following base coat applications to the exterior side of the insulation board (Item 4). In accordance with the manufacturer's application instructions, the exterior face of the insulation board must be sanded. After the initial coat, apply reinforcing mesh (Item 6) and then additional coats so that the mesh (Item 6) is completely embedded and the final thickness of the base coat is min. 2mm (1/12 in.).
- A. Dryvit Primus Adhesive/Base Coat – mixed at a 1:1 ratio by weight with Type GU Portland cement (a small amount of water may be added to achieve working viscosity) or,
- B. Primus DM Adhesive/Base Coat – mixed at a 4:1 ratio with clean potable water or,
- C. Genesis Adhesive/Base Coat – mixed at 1:1 ratio by weight with Type GU Portland cement (a small amount of water may be added to achieve working viscosity) or,
- D. Genesis DM Adhesive/Base Coat – mixed at a 4:1 ratio with clean potable water or,
- E. Rapidry 50/75 Adhesive Base Coat – mixed at a 4:1 ratio with clean potable water.
6. **REINFORCING MESH:** Apply Dryvit mesh, either "Standard®", "Standard® Plus", Intermediate Mesh 150 – 372 g/m<sup>2</sup> (0.49 – 1.22 oz/ft<sup>2</sup>) self-extinguishing, edges overlapped 75mm (3 in.) min. and embedded into the base coat (Item 5) with a stainless steel trowel. The fiberglass mesh is pre-wrapped, back-wrapped, or edge-wrapped with min. 63mm (2-1/2 in.) face coverage at terminations to encapsulate the insulation board. For additional impact resistance, a layer of Dryvit Panzer® Meshes 488 – 671 g/m<sup>2</sup> ( 1.6 – 2.2 oz/ft<sup>2</sup>) may be applied to the system prior to the application of standard meshes in accordance with the manufacturer's application instructions.
7. **FINISH COAT:** Apply Dryvit "DPR" finish, StoneMist, TerraNeo, Ameristone, LymeStone, Custom Brick, and smooth coatings over the base coat (Item 5) in accordance with the manufacturer's application instructions for the specific finish using stainless steel trowel.
8. **JOINT TREATMENT (Not Shown):** Vertical and horizontal expansion joints, in nominal widths 19mm (3/4 in.) to 25.4mm (1 in.), are fitted with polyethylene backer rod set approximately 6mm (.25 in.) below the top surface of the panel. The joint is then filled with polyurethane or silicone sealant.
9. **OPTIONAL MECHANICAL FASTENING for EPS and XPS INSULATION (Not Shown):** Where supplemental mechanical fastening is to be used for restraining the EPS to substrate, GridmateClass PB(TM), or Wind-Devil 2 washers and fasteners can be used for penetrating through the EPS into the component substrate. Details of this installation can be found in the manufacturer's application instructions.

Date Revised: October 18, 2017  
Project No. G103067321



Valued Quality. Delivered.

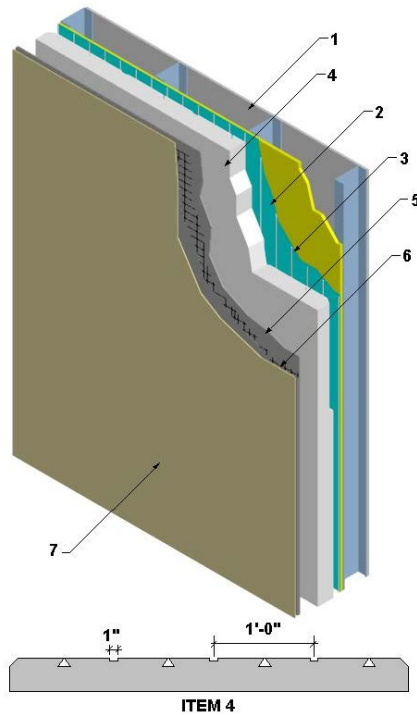
# DSC-WDEIFS 25-02

Division 7 – Thermal and Moisture Protection  
 07 24 00 Exterior Insulation and Finish Systems  
 07 24 19 Water-Drainage Exterior Insulation and Finish System

Page 1 of 3

Design Number: DSC/WDEIFS 25-02  
 EXTERIOR WALL SYSTEMS  
 Dryvit Systems Canada  
 Dryvit OUTSULATION® PD  
 CAN/ULC S134 (2013)

Meets the Requirements of Article 3.1.5.5 of the National Building Code of Canada, 2015 and 2010



1. **WALL ASSEMBLY:** Construct a wall assembly that shall comply with the local Building Code or other applicable regulatory requirements when those are greater.
2. **WATER RESISTIVE BARRIER:** Apply one of the following membrane systems to the exterior side of the wall assembly (Item 1):
  - A. Dryvit Dryflex™ – Polymer based cementitious air/moisture barrier applied at 3.2mm (1/8 in.) thickness in accordance with manufacturer's instructions or,
  - B. Dryvit Backstop NT™/NT VB – Polymer based non-cementitious air/moisture barrier applied at 2mm (0.078 in.) thickness in accordance with manufacturer's instructions.
3. **ADHESIVE:** Mix Dryvit adhesive (Item 5) and apply using a 1/2 in. x 1/2 in. stainless steel notched trowel, in accordance with manufacturer's application instructions. Adhesive ribbons shall run vertically and measure approximately 9mm (3/8 in.) when formed and will be compressed when adhered to the substrate.

Date Revised: October 18, 2017  
 Project No. G103067321



Valued Quality. Delivered.

**DSC-WDEIFS 25-02 (2 of 3)**

**Division 7 – Thermal and Moisture Protection**  
**07 24 00 Exterior Insulation and Finish Systems**  
**07 24 19 Water-Drainage Exterior Insulation and Finish System**

Page 2 of 3

**4. INSULATION BOARD:** Secure insulation board with adhesive (Item 3) using one of the following options:

- A. 16 kg/m<sup>3</sup> (1 pcf) expanded polystyrene (EPS) board, min. 51mm (2 in.) thick and max. 150mm (6 in.) thick, bonded with adhesive.
- B. 16 kg/m<sup>3</sup> (1 pcf) graphite-enhanced polystyrene (GPS) board, min. 51mm (2 in.) thick and max. 150mm (6 in.) thick, bonded with adhesive and four supplemental mechanical fasteners with appropriate type and length of corrosion-resistant fasteners and PBH Washers by Demand Products, Wind-lock Wind-Devil 2 plastic washers, or approved equivalent washer, per 610 x 1220mm (24 in. x 48 in.). Fasteners must be within 200mm (8 in.) of the sides of the boards and within 100mm (4 in.) of the top and bottom. Exact location will depend upon the substrate (spacing of framing, or solid masonry).
- C. 28.8 kg/m<sup>3</sup> (1.8 pcf) extruded polystyrene (XPS) board, min. 51mm (2 in.) thick and max. 83mm (3.3 in.) thick, bonded with adhesive. The board face receiving adhesive must be sanded.

Insulation boards must be manufactured under a quality assurance program and conform- to CAN/ULC S701 Type 1 for EPS and GPS, and Type 4 for XPS, with a flame spread rating less than 500 per CAN/ULC S102.2. Insulation board has a profile consisting of three 10mm (0.4 in.) deep x 25mm (1 in.) wide rectangular grooves running vertically on the interior side of the board spaced 305mm (12 in.) oc. Between rectangular grooves are four inverted triangular grooves spaced 305mm (12 in.) oc. The grooves measure 38mm (1-1/2 in.) at the base and narrow to 2mm (0.08 in.) at the peak. The base of the triangles aligns with the perimeter chamfer at a depth of 15mm (0.6 in.). Insulation boards have profile consisting of 6-10mm (.25-.40 in.) x 25mm (1 in.) grooves running vertically on the interior side of the board spaced 305mm

(12 in.) oc. All outside edges are to be chamfered.

**5. BASE COAT:** Apply one of the following base coat applications to the exterior side of the insulation board (Item 4). In accordance with the manufacturer's application instructions, the exterior face of the insulation board must be sanded. After the initial coat, apply reinforcing mesh (Item 6) and then additional coats so that the mesh (Item 6) is completely embedded and the final thickness of the base coat is min. 2mm (1/12 in.).

- A. Dryvit Primus Adhesive/Base Coat – mixed at a 1:1 ratio by weight with Type GU Portland cement (a small amount of water may be added to achieve working viscosity) or,
- B. Primus DM Adhesive/Base Coat – mixed at a 4:1 ratio with clean potable water or,
- C. Genesis Adhesive/Base Coat – mixed at 1:1 ratio by weight with Type GU Portland cement (a small amount of water may be added to achieve working viscosity) or,
- D. Genesis DM Adhesive/Base Coat – mixed at a 4:1 ratio with clean potable water or,
- E. Rapidry 50/75 Adhesive Base Coat – mixed at a 4:1 ratio with clean potable water.

**6. REINFORCING MESH:** Apply Dryvit mesh, either "Standard®", "Standard® Plus", Intermediate Mesh 150 – 372 g/m<sup>2</sup> (0.49 – 1.22 oz/ft<sup>2</sup>) self-extinguishing, edges overlapped 75mm (3 in.) min. and embedded into the base coat (Item 5) with a stainless steel trowel. The fiberglass mesh is pre-wrapped, back-wrapped, or edge-wrapped with min. 63mm (2-1/2 in.) face coverage at terminations to encapsulate the insulation board. For additional impact resistance, a layer of Dryvit Panzer® Meshes 488 – 671 g/m<sup>2</sup> (1.6 – 2.2 oz/ft<sup>2</sup>) may be applied to the system prior to the application of standard

Date Revised: October 18, 2017  
 Project No. G103067321



Valued Quality. Delivered.

## DSC-WDEIFS 25-02 (3 of 3)

**Division 7 – Thermal and Moisture Protection**  
**07 24 00 Exterior Insulation and Finish Systems**  
**07 24 19 Water-Drainage Exterior Insulation and Finish System**

Page 3 of 3

meshes in accordance with the manufacturer's application instructions.

7. **FINISH COAT:** Apply Dryvit "DPR" finish, StoneMist, TerraNeo, Ameristone, LymeStone, Custom Brick, and smooth coatings over the base coat (Item 5) in accordance with the manufacturer's application instructions for the specific finish using stainless steel trowel.
8. **JOINT TREATMENT (Not Shown):** Vertical and horizontal expansion joints, in nominal widths 19mm (3/4 in.) to 25.4mm (1 in.), are fitted with polyethylene backer rod set

approximately 6mm below the top surface of the panel. The joint is then filled with polyurethane or silicone sealant.

9. **OPTIONAL MECHANICAL FASTENING (Not Shown):** Where supplemental mechanical fastening is to be used for restraining the EPS to the substrate, GridmateClass PB(TM) or Wind-Devil 2 washers and fasteners can be used for penetrating through the EPS into the component substrate. Details of this installation can be found in the manufacturer's application instructions.

---

Date Revised: October 18, 2017  
Project No. G103067321



Valued Quality. Delivered.



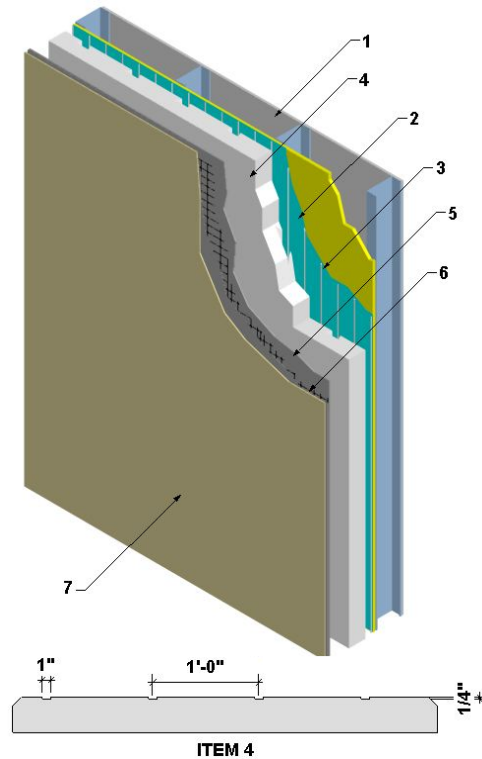
# DSC-WDEIFS 25-03

Division 7 – Thermal and Moisture Protection  
 07 24 00 Exterior Insulation and Finish Systems  
 07 24 19 Water-Drainage Exterior Insulation and Finish Systems

Page 1 of 2

Design Number: DSC/WDEIFS 25-03  
 EXTERIOR WALL SYSTEMS  
 Dryvit Systems Canada  
 Dryvit OUTSULATION® MD  
 CAN/ULC S134 (2013)

Meets the Requirements of Article 3.1.5.5 of the National Building Code of Canada, 2015 and 2010



1. **WALL ASSEMBLY:** Construct a wall assembly that shall comply with the local Building Code or other applicable regulatory requirements when those are greater.
  - A. Dryvit Dryflex™ – Polymer based cementitious air/moisture barrier applied in accordance with manufacturer's instructions or,
  - B. Dryvit Backstop NT™/NT VB – Polymer based non-cementitious air/moisture barrier applied in accordance with manufacturer's instructions.
2. **WATER RESISTIVE BARRIER:** Apply one of the following membrane systems to the exterior side of the wall assembly (Item 1):
  - A. Dryvit Dryflex™ – Polymer based cementitious air/moisture barrier applied in accordance with manufacturer's instructions or,
  - B. Dryvit Backstop NT™/NT VB – Polymer based non-cementitious air/moisture barrier applied in accordance with manufacturer's instructions.
3. **ADHESIVE:** Mix Dryvit adhesive (Item 5) and apply using a 1/2 in. x 1/2 in. stainless steel notched trowel, in accordance with manufacturer's application instructions. Adhesive ribbons shall run vertically and measure approximately 9mm (3/8 in.) when formed and will be compressed when adhered to the substrate.

Date Revised: October 18, 2017  
 Project No. G103067321



Valued Quality. Delivered.

**DSC-WDEIFS 25-03 (2 of 2)**

**Division 7 – Thermal and Moisture Protection**  
**07 24 00 Exterior Insulation and Finish Systems**  
**07 24 19 Water-Drainage Exterior Insulation and Finish Systems**

Page 2 of 2

**4. INSULATION BOARD:** Secure insulation board with adhesive (Item 3) using one of the following options:

- A. 16 kg/m<sup>3</sup> (1 pcf) expanded polystyrene (EPS) board, min. 51mm (2 in.) thick and max. 150mm (6 in.) thick, bonded with adhesive.
- B. 16 kg/m<sup>3</sup> (1 pcf) graphite-enhanced polystyrene (GPS) board, min. 51mm (2 in.) thick and max. 150mm (6 in.) thick, bonded with adhesive and four supplemental mechanical fasteners with appropriate type and length of corrosion-resistant fasteners and PBH Washers by Demand Products, Wind-lock Wind-Devil 2 plastic washers, or approved equivalent washer, per 610 x 1220mm (24 in. x 48 in.). Fasteners must be within 200mm (8 in.) of the sides of the boards and within 100mm (4 in.) of the top and bottom. Exact location will depend upon the substrate (spacing of framing, or solid masonry).
- C. 28.8 kg/m<sup>3</sup> (1.8 pcf) extruded polystyrene (XPS) board, min. 51mm (2 in.) thick and max. 83mm (3.3 in.) thick, bonded with adhesive. The board face receiving adhesive must be sanded.

Insulation boards must be manufactured under a quality assurance program and conform to CAN/ULC S701 Type 1 for EPS and GPS, and Type 4 for XPS, with a flame spread rating less than 500 per CAN/ULC S102.2.

Insulation boards have a profile consisting of 6-10mm. (25-40 in.) x 25mm (1 in.) grooves running vertically on the interior side of the board spaced 305mm (12 in.) oc. All outside edges are to be chamfered.

- 5. BASE COAT:** Apply one of the following base coat applications to the exterior side of the insulation board (Item 4). In accordance with the manufacturer's application instructions, the exterior face of the insulation board must be sanded. After the initial coat, apply reinforcing mesh (Item 6) and then additional coats so that the mesh (Item 6) is completely embedded and the final thickness of the base coat is min. 2mm (1/12 in.).

- A. Dryvit Primus Adhesive/Base Coat – mixed at a 1:1 ratio by weight with Type GU Portland cement (a small amount of water may be added to achieve working viscosity) or,
- B. Primus DM Adhesive/Base Coat – mixed at a 4:1 ratio with clean potable water or,
- C. Genesis Adhesive/Base Coat – mixed at 1:1 ratio by weight with Type GU Portland cement (a small amount of water may be added to achieve working viscosity) or,
- D. Genesis DM Adhesive/Base Coat – mixed at a 4:1 ratio with clean potable water or,
- E. Rapidry 50/75 Adhesive Base Coat – mixed at a 4:1 ratio with clean potable water.

- 6. REINFORCING MESH:** Apply Dryvit mesh, either "Standard®", "Standard® Plus", Intermediate Mesh 150 – 372 g/m<sup>2</sup> (0.49 – 1.22 oz/ft<sup>2</sup>) self-extinguishing, edges overlapped 75mm (3 in.) min. and embedded into the base coat (Item 5) with a stainless steel trowel. The fiberglass mesh is pre-wrapped, back-wrapped, or edge-wrapped with min. 63mm (2-1/2 in.) face coverage at terminations to encapsulate the insulation board. For additional impact resistance, a layer of Dryvit Panzer® Meshes 488 – 671 g/m<sup>2</sup> (1.6 – 2.2 oz/ft<sup>2</sup>) may be applied to the system prior to the application of standard meshes in accordance with the manufacturer's application instructions.

- 7. FINISH COAT:** Apply Dryvit "DPR" finish, StoneMist, TerraNeo, Ameristone, LymeStone, Custom Brick, and smooth coatings over the base coat (Item 5) in accordance with the manufacturer's application instructions for the specific finish using stainless steel trowel.

- 8. OPTIONAL MECHANICAL FASTENING for EPS and XPS INSULATION (Not Shown):** Where supplemental mechanical fastening is to be used for restraining the EPS to the substrate, GridmateClass PB(TM) or Wind-Devil 2 washers and fasteners can be used for penetrating through the EPS into the component substrate. Details of this installation can be found in the manufacturer's application instructions.

Date Revised: October 18, 2017  
 Project No. G103067321



Valued Quality. Delivered.